

# BOCCHETTONE - IVR 980/A - IVR 980/B



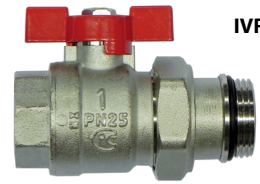
Valvola a sfera a passaggio totale con bocchettone con autotenuta a sede piana - Attacchi filettati M/F  
 Impieghi: impiantistica idraulica civile e industriale, installazioni idrotermosanitarie.

Full bore ball valve with male union connection, autoequal and flat seat - Threaded ends M/F  
 Application: hydraulic domestic and industrial installations, sanitary systems.

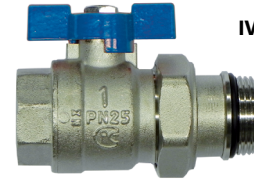
Kugelhahn voller Durchgang mit Rohrverschraubung, Selbst- und Flachdichtend - AG/IG  
 Anwendung: Sanitäranlagen, Hausanlagen, Industrieanlagen, Wasser-und Thermoanlagen.

Vanne à boisseau sphérique avec raccords, avec autoéanche et siège platte - fixations M/F  
 Application: projets civils et industriels, installations hydro termo sanitaires.

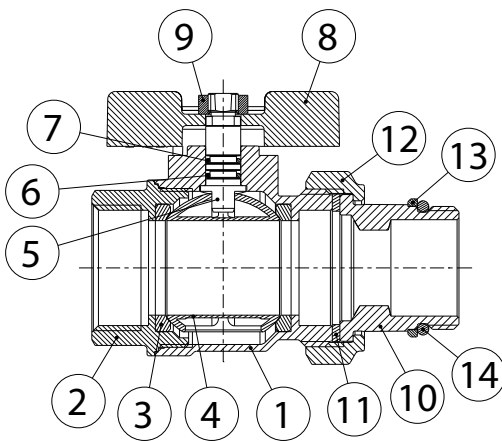
Полнопроходной шаровой кран с самогерметизирующей прокладкой и плоским седлом - Соединения: Н/В  
 Сфера применения: для гидравлических систем жилых помещений и промышленных, для гидро-тепло-санитарных нужд.



IVR 980/A

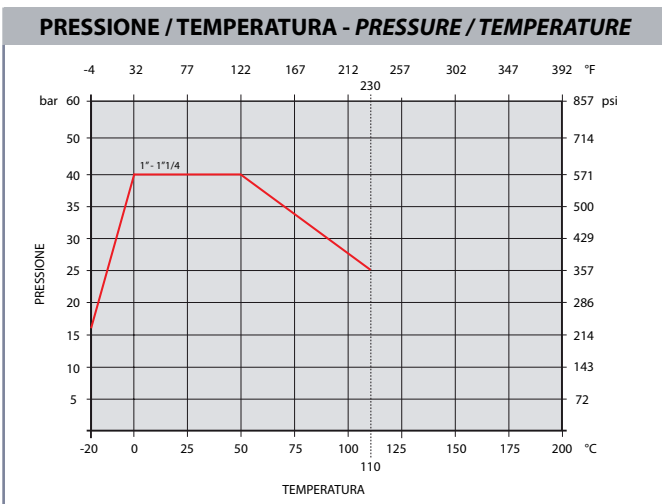


IVR 980/B



N	DENOMINAZIONE PART NAME	MATERIALE MATERIAL	TRATTAMENTO TREATMENT
1	Corpo - Body	Ottone - Brass CW617N - UNI EN 12165	Nichelato - Nickel-plated
2	Manicotto - Body end	Ottone - Brass CW617N - UNI EN 12165	Nichelato - Nickel-plated
3	Seggio - Seat	PTFE	
4	Sfera - Ball	Ottone - Brass CW617N - UNI EN 12165	Cromata - Chrome plated
5	Asta - Stem	Ottone - Brass CW614N - UNI EN 12164	
6	O-Ring	EPDM	
7	O-Ring	FKM	
8	Maniglia - Handle	Alluminio - Aluminum	Verniciato - Painted
9	Dado - Nut	Acciaio - Steel	Zincato - Zinc-plated
10	Codolo - Union	Ottone - Brass CW617N - UNI EN 12165	Nichelato - Nickel-plated
11	Guarnizione - Gasket	Fibra - Fiber	
12	Calotta - Nut	Ottone - Brass CW617N - UNI EN 12165	Nichelato - Nickel-plated
13	Anello - Ring	Ottone - Brass CW614N - UNI EN 12164	Nichelato - Nickel-plated
14	O-Ring	EPDM	

Disponibile anche senza codolo autotenuta Art. IVR 827/A IVR 827/B  
 Also available without union connection Art. IVR 827/A IVR 827/B



Size 1" - 1 1/4 40 bar

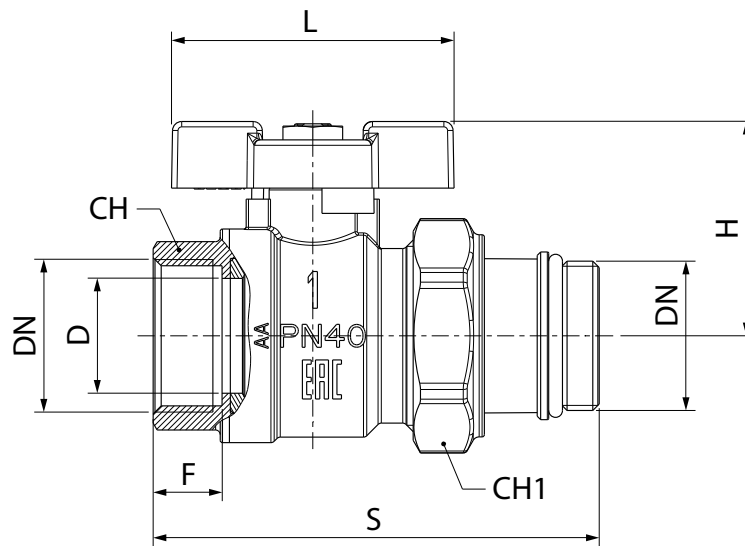
Max +110 °C  
 Min -20 °C

UNI ISO 228/1

ASTA ANTISCOPPIO  
 ANTI BLOW-OUT STEM

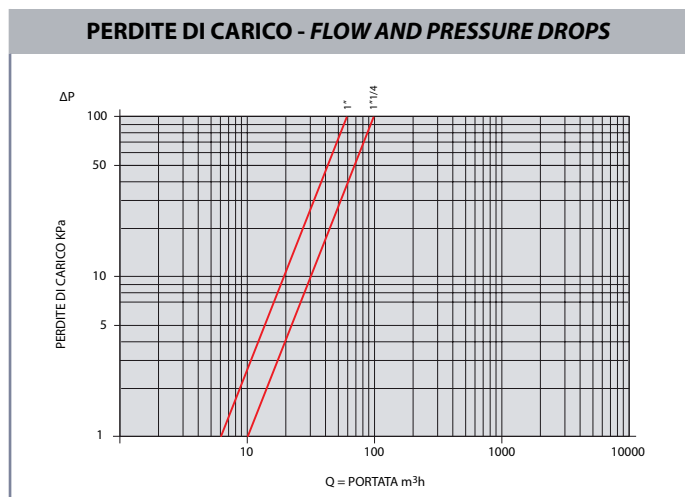


Tutte le caratteristiche tecniche dei prodotti sono soggette a modifiche senza preavviso - All product's technical specifications are subject to modification without prior notice



## DIMENSIONI - DIMENSIONS (mm)

DN	D	F	S	H	L	CH	CH1
G1"	25	15	98	47	62	38	46
G1"1/4	32	17	111	57	73	47	52



Misura - Size	KV
1" - 25	60
1"1/4 - 32	100