


 Valvola a sfera M/F, attacco termometro, bocchettone autotenuta, nichelata. Per AVANT FLOOR. Maniglia farfalla rossa e attacco sonda per temperatura. Sede conica

 Ball valve M/F with thermometer connection, tailpiece with auto-seal, nickel plated. For AVANT FLOOR. Red butterfly handle and sensor connection. Conical seat

 Kugelhahn AG/IG, Thermometeranschluss, Rohrverschraubung mit Selbstdichtung, vernickelt für AVANT FLOOR. Roter Flügelgriff und Anschluss für Temperatursonde mit Kegelsitz.

 Vanne à boisseau sphérique M/F, fixation thermomètre, raccord autoétanche, nickelée - pour AVANT FLOOR. Poignée papillon rouge et fixation sonde pour température. Siège conique

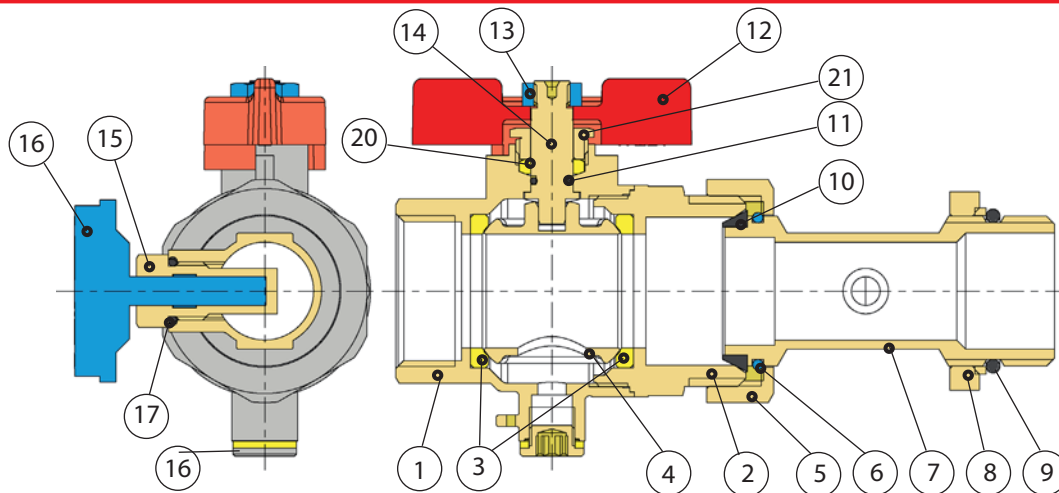
 Шаровой кран Н/В, с соединением под термометер, со сгоном, самогерметизирующейся прокладкой, никелированный. Для AVANT FLOOR. Красная ручка-бабочка, с выводом для зонда. Коническое седло.



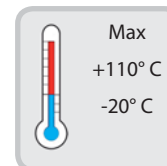
IVR 979/A



IVR 979/B



N	DENOMINAZIONE PART NAME	MATERIALE MATERIAL	TRATTAMENTO TREATMENT
1	Corpo - Body	Ottone - Brass CW 617N - UNI EN 12165/98	Nichelato Nickel plated
2	Manicotto - Body end	Ottone - Brass CW 617N - UNI EN 12165/98	Nichelato Nickel plated
3	Seggio - Seat	P.T.F.E.	
4	Sfera - Ball	Ottone - Brass CW 617N - UNI EN 12165/98	Cromata Chrome plated
5	Calotta - Nut	Ottone - Brass CW 617N - UNI EN 12165/98	Nichelato Nickel plated
6	Filo - Wire	Acciaio inox - Stainlesssteel	
7	Bocchettone - Tail piece	Ottone - Brass CW 617N - UNI EN 12165/98	Nichelato Nickel plated
8	Ghiera - Threaded ring	Ottone - Brass CW 617N - UNI EN 12165/98	Nichelato Nickel plated
9	O-ring - O-ring	EPDM	
10	Guarnizione - Gasket	EPDM	
11	O-ring - O-ring	NBR	
12	Maniglia - Handle	Alluminio - Aluminium	Verniciato - Painted
13	Dado - Nut	Acciaio - Steel	
14	Asta - Stem	Ottone - Brass CW 614N - UNI EN 12164/98	
15	Pozzetto - Cockpit	Ottone - Brass CW 614N - UNI EN 12164/98	
16	Termometro - Thermometer		
17	O-ring - O-ring	EPDM	
18	Tappo - Cap	Ottone - Brass CW 614N - UNI EN 12164/98	Nichelato Nickel plated
19	Guarnizione - Gasket	P.T.F.E.	
20	Rondella - Seal	Ottone - Brass CW 614N - UNI EN 12164/98	Nichelato Nickel plated
21	Premistoppa	P.T.F.E.	



Tutte le caratteristiche tecniche dei prodotti sono soggette a modifiche senza preavviso - All product's technical specifications are subject to modification without prior notice

