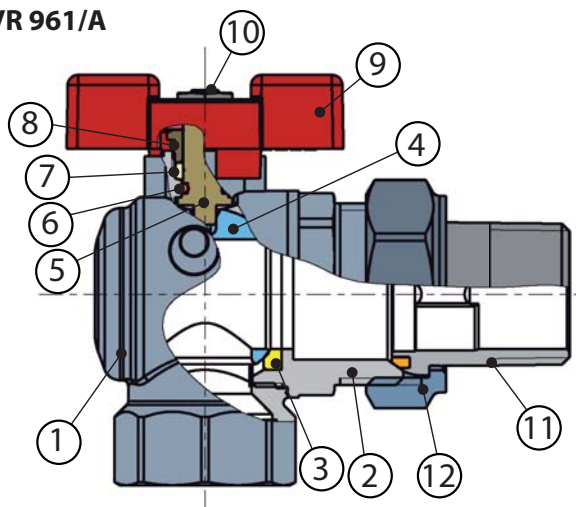


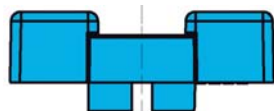
BOCCHETTONE A SQUADRA - IVR 961/A - IVR 961/B

- Valvola a sfera a passaggio totale a squadra con bocchettone - attacchi M/F
Impieghi: impiantistica idraulica civile e industriale, installazioni idrotermosanitarie.
- Angle full bore ball valve with tail piece - threaded ends M/F
Application: hydraulic domestic and industrial installations, sanitary systems.
- Kugelhahn mit vollem Durchgang, eckförmig, mit Stutzen (Überwurfverschraubung) - Anschlüsse mit Außen- und Innengewinde
Anwendung: Sanitäranlagen, Hausanlagen, Industrieanlagen, Wasser- und Thermoanlagen.
- Vanne à boisseau sphérique à passage intégral à équerre avec raccord - fixations M/F
Application: projets civils et industriels, installations hydro termo sanitaires.
- Полнопроходной шаровой кран с накладной гайкой - соединения Н/В
Сфера применения: для гидравлических систем жилых помещений и промышленных, для гидро-тепло-санитарных нужд.

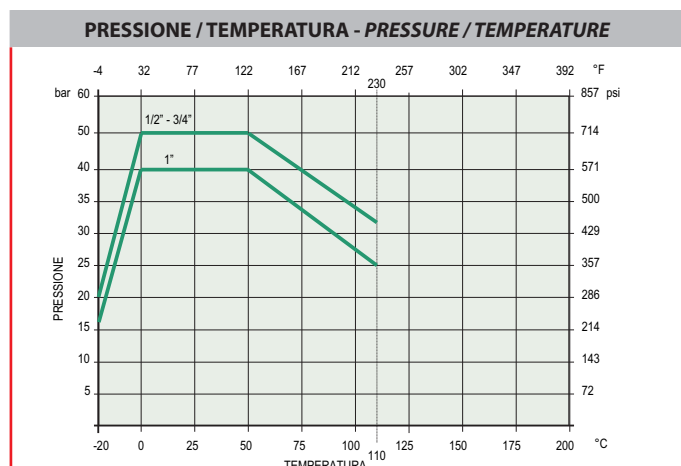
IVR 961/A



N	DENOMINAZIONE PART NAME	MATERIALE MATERIAL	TRATTAMENTO TREATMENT
1	Corpo - Body	Ottone - Brass CW 617N - UNI EN 12165/98	Nichelato - Nickel plated
2	Manicotto Body end	Ottone - Brass CW 617N - UNI EN 12165/98	Nichelato - Nickel plated
3	Seggio - Seat	PTFE	
4	Sfera - Ball	Ottone - Brass CW 617N - UNI EN 12165/98	Cromata - Chrome plated
5	Asta - Stem	Ottone - Brass CW 614N - UNI EN 12164/98	
6	O-Ring - O-Ring	FP	
7	Rondella - Seal	PTFE	
8	Premistoppa Packing nut	Ottone - Brass CW 617N - UNI EN 12165/98	
9	Maniglia - Handle	Alluminio - Aluminium	Verniciato - Painted
10	Dado - Nut	Acciaio - Steel	Zincato - Zinc plated
11	Codolo - Union	Ottone - Brass CW 617N - UNI EN 12165/98	Nichelato - Nickel plated
12	Calotta - Nut	Ottone - Brass CW 617N - UNI EN 12165/98	Nichelato - Nickel plated



IVR 961/B



Size

1/2" - 3/4" 50 bar
1" 40 bar

Max +110° C
Min -20° C

ISO 228-1

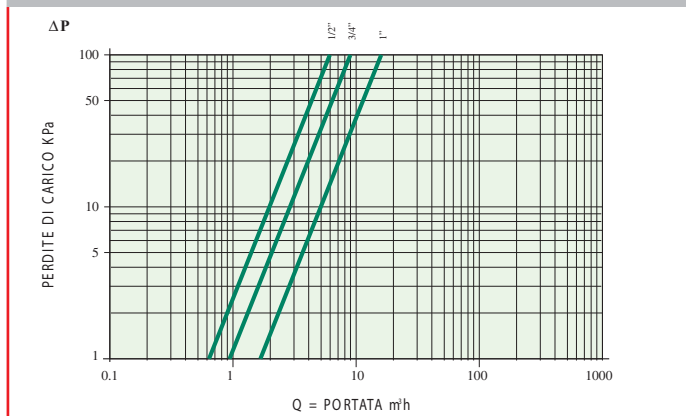
Asta anticoppio
Anti blow-out stem



BOCCHETTONE A SQUADRA - IVR 961/A - IVR 961/B



PERDITE DI CARICO - FLOW AND PRESSURE DROPS



Misura - Size	KV
1/2" - 15	6
3/4" - 20	9
1" - 25	14

DIMENSIONI - DIMENSIONS (mm)

Size	Ø	F	S	S1	H	H1	L	Ch	Ch1
1/2"	15	11	60	16	37	27.5	50	25	30
3/4"	20	13	66	20	40	35	50	31	37
1"	25	15	80	25.5	47	43.5	61	38	46

