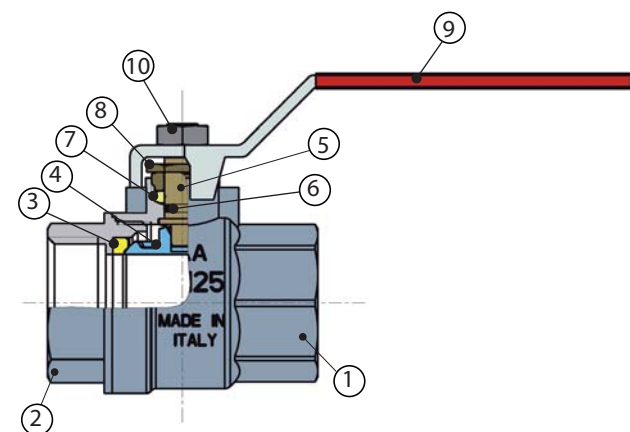
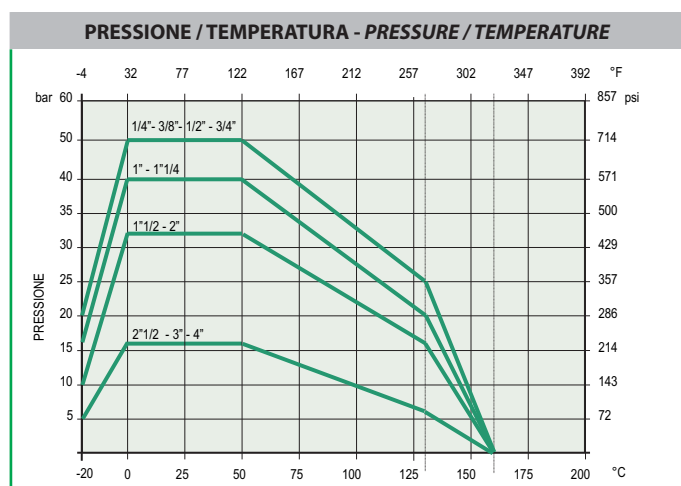


EVERLAST - IVR 954 - IVR 956 - IVR 957

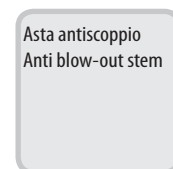
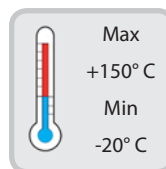
- Valvola a sfera a passaggio totale. Attacchi filettati F/F (IVR 954) - M/F (IVR 956) - M/M (IVR 957). Impieghi: impiantistica idraulica, installazioni idrotermosanitarie, acquedotti, aria compressa.
- Full bore ball valve. F/F (IVR 954) - M/F (IVR 956) - M/M (IVR 957) thread ends. Application: hydraulic, sanitary, compressed air industries.
- Kugelhahn mit vollem Durchgang - Anschlüsse mit I/I (IVR 954) - A/I (IVR 956) - A/A (IVR 957). Anwendung: Hydraulik, Sanitär, Druckluft-Industrie.
- Vanne à sphère à passage intégral. Taraudage F/F (IVR 954) - M/F (IVR 956) - MM (IVR 957). Application: hydraulique, sanitaire, air comprimé.
- Полнопроходной шаровой кран. Резьбовые соединения В/В (IVR 954) - Н/В (IVR 956) - Н/Н (IVR 957). Сфера применения: гидравлика, санитария, орошение, сжатый воздух.



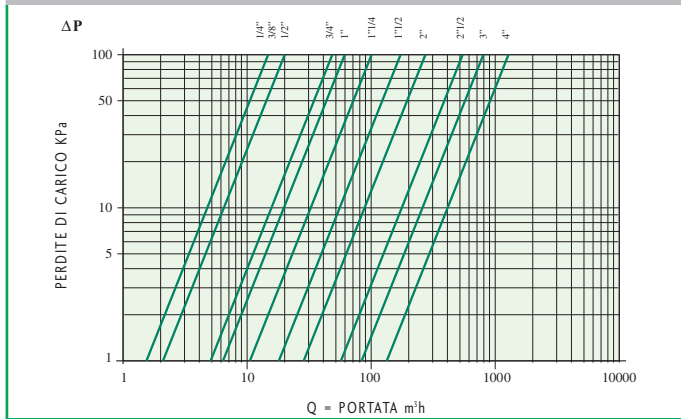
N	DENOMINAZIONE PART NAME	MATERIALE MATERIAL	TRATTAMENTO TREATMENT
1	Corpo - Body	Ottone - Brass CW 617N - UNI EN 12165/98	Nichelato - Nickel plated
2	Manicotto Body end	Ottone - Brass CW 617N - UNI EN 12165/98	Nichelato - Nickel plated
3	Seggio - Seat	PTFE	
4	Sfera - Ball	Ottone - Brass CW 617N - UNI EN 12165/98	Cromata - Chrome plated
5	Asta - Stem	Ottone - Brass CW 614N - UNI EN 12164/98	
6	O-Ring - O-Ring	NBR	
7	Rondella - Seal	PTFE	
8	Premistoppa Packing nut	Ottone - Brass CW 614N - UNI EN 12164/98	
9	Maniglia - Handle	Acciaio - Steel	Rivest. PVC - Plastic coated
10	Dado - Nut	Acciaio - Steel	Zincato - Zinc plated



Size	Pressure
1/4" - 3/4"	50 bar
1" - 1 1/4"	40 bar
1 1/2" - 2"	32 bar
2 1/2" - 4"	16 bar



PERDITE DI CARICO - FLOW AND PRESSURE DROPS

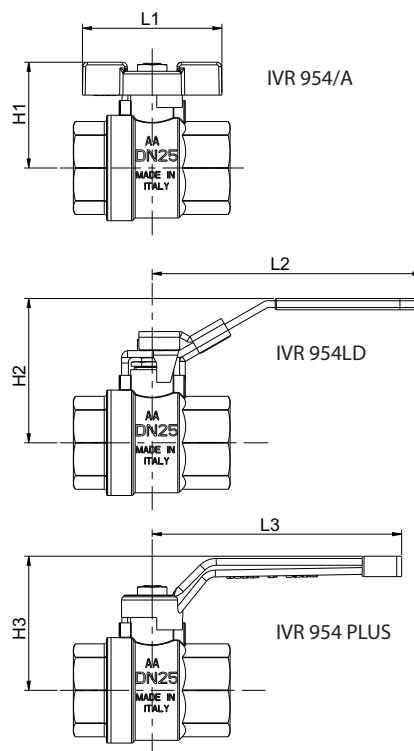
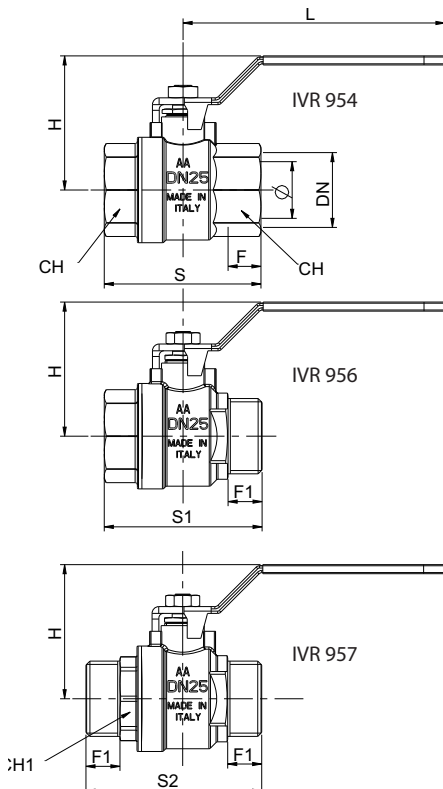


Misura - Size KV

Misura - Size	KV
1/4" - 10	15
3/8" - 10	15
1/2" - 15	20
3/4" - 20	45
1" - 25	60
1" 1/4 - 32	100
1" 1/2 - 40	170
2" - 50	265
2" 1/2 - 60	510
3" - 74	790
4" - 94	1230

DIMENSIONI - DIMENSIONS (mm)

Size	Ø	F	F1	S	S1	S2	H	HI	H2	H3	L	L1	L2	L3	CH	CH1
1/4"	10	9,5	10	42	43,5	52	40	33	43	44	80	50	95	85	17	18
3/8"	10	10,5	10	44	45	52	40	33	43	44	80	50	95	85	20	18
1/2"	15	11	10,5	50	50	58	43	37	46	47	92	50	95	85	25	18
3/4"	20	13	13	57	58	66	47	40	49	51	92	50	95	85	31	28
1"	25	15	15	70	70	78	59	47	64	60	115	61	120	110	38	37
1" 1/4	32	17	17	80	81	91	64	52	68	64	115	61	120	110	47	44
1" 1/2	40	18	18	90	91	102	75		78	78	150		150	130	54	49
2"	50	20	20	107	107	118	82		86	85	150		150	130	66	63
2" 1/2	60	22		132			108			124	200				84	
3"	74	26		151			117			134	250				96	
4"	94	30		179			154			141	250				123	



EVERLAST/A
Maniglia farfalla alluminio
Alluminium butterfly handle
Алюминиевая ручка "бабочка"

EVERLAST LD
Maniglia lucchettabile
Lockable handle
Запираемый (на ключ) алюминиевый рычаг

EVERLAST PLUS
Maniglia alluminio
Alluminium handle
Плоский алюминиевый рычаг

PROLUNGA - IVR 97

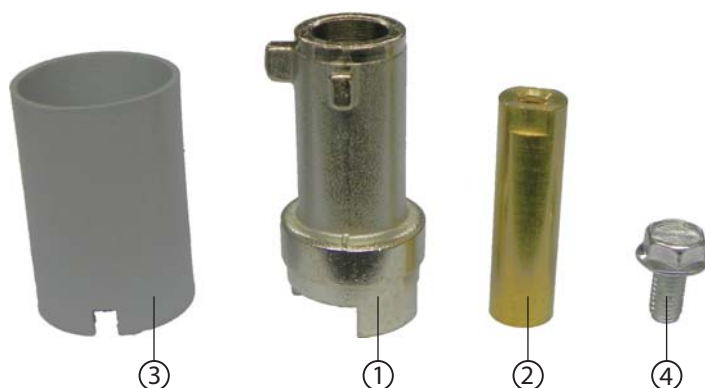


Prolunga di manovra per isolamento termico.

Handle extension for thermal insulation.

Rallonge fixe pour calorifugeage.

Spindel verlängerung.



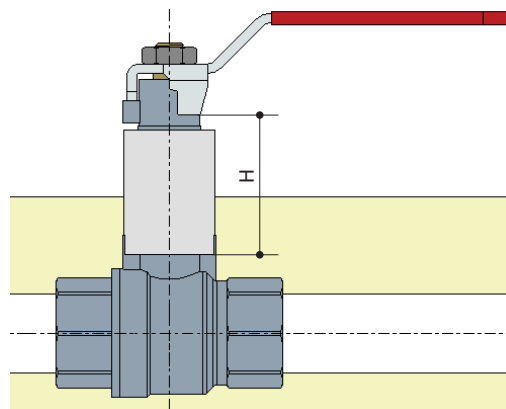
IMPIEGHI: Permette il rivestimento con materiale da coibentazione contro la dispersione del calore ed a temperature inferiori a -10°C.

APPLICATIONS: To permit to covering by insulation material in order to avoid heat dispersions at temperature lower than the -10°C.

N. N.	DENOMINAZIONE PART NAME	MATERIALE MATERIAL	TRATTAMENTO TREATMENT
1	Prolunga - Extension	Ottone - Brass CW 617N - UNI EN 12165/98	Nichelata - Nickel plated
2	Asta - Stem	Ottone - Brass CW 614N - UNI EN 12164/98	
3	Guaina fissa esterna Plastic fix cover	PP	
4	Vite - Screw	Acciaio - Steel	Zincato - Zinc plated

Prolunga	Mignon M8	1 a	2 a	3 a	4 a	5 a
Alzata H	42	44	52	60	78	86

Dimensioni in mm - Dimensions in mm



Scelta delle misure - Size choice									
IVR 97									
DN	Art. 45	Art. 45 PLUS	Art. 48	Art. 54	Art. 68	Art. 954	Art. 100	Art. 918	Art. 70/71
1/4"	M	M	M	M		M			T1a
3/8"	M	M	M	M		M	M		T1a
1/2"	1 ^a	1 ^a	1 ^a	M	M	M	1 ^a	M	T2a
3/4"	1 ^a	1 ^a	1 ^a	M	M	M	1 ^a	M	T2a
1"	2 ^a	2 ^a		1 ^a	1 ^a	1 ^a	2 ^a	1 ^a	T3a
1"1/4	2 ^a	2 ^a		1 ^a	1 ^a	1 ^a	2 ^a	1 ^a	T3a
1"1/2	3 ^a			2 ^a	2 ^a	2 ^a	2 ^a	2 ^a	T4a
2"	3 ^a			2 ^a	2 ^a	2 ^a	3 ^a	2 ^a	T4a
2"1/2	5 ^a					4 ^a	4 ^a		
3"	5 ^a					4 ^a	4 ^a		
4"	5 ^a					5 ^a			