






# GHISA - IVR 80 - IVR 81



-  Valvola a sfera a corpo piatto in ghisa GJS 400 - attacchi flangiati PN 16 (IVR 80)  
Valvola a sfera a corpo piatto in ghisa GJS 400 - sfera inox - attacchi flangiati PN 16 (IVR 81)  
*Impieghi: installazioni idrotermosanitarie, aria compressa, acquedotti, idrocarburi (non gassosi) ed olii.*
-  Cast iron GJS 400 flat body ball valve - flanged ends PN 16 (IVR 80)  
Cast iron GJS 400 flat body ball valve - stainless steel ball - flanged ends PN 16 (IVR 81)  
*Application: Hydrotermosanitary plants, compressed air, waterworks, hydrocarbons (non-gaseous) and oils.*
-  Kugelhan aus Gusseisen GJS 400 mit flachem Gehäuse - Flanschanschlüsse PN 16 (IVR 80)  
Kugelhan aus Gusseisen GJS 400 mit flachem Gehäuse - Kugel aus Edelstahl - Flanschanschlüsse PN 16 (IVR 81)  
*Anwendung: hydrothermische Sanitäranlagen, Druckluft, Wasserleitungen, Kohlenwasserstoffen (nicht gasförmig) und Öle.*
-  Vanne à boisseau sphérique à corps plat en fonte GJS 400 - fixations brides PN 16 (IVR 80)  
Vanne à boisseau sphérique à corps plat en fonte GJS 400 - sphère inox - fixations brides PN 16 (IVR 81)  
*Application: Installations hydro-thermo sanitaires, air comprimé, aqueducs, hydrocarbures (non gazeux) et huiles.*
-  Шаровой кран из чугуна GJS 400 - Фланцевое соединение PN 16 (IVR 80)  
Шаровой кран из чугуна GJS 400 - Шток и шар из нержавеющей стали - Фланцевое соединение PN 16 (IVR 81)  
*Сфера применения: теплоснабжение, водоснабжение, сжатый воздух, (без газообразных) углеводородов, масла.*



N	PART NAME	MATERIAL	TREATMENT	QTY
1	Corpo - Body	Ghisa GJS 400 - Cast iron GJS 400	Verniciato - Painted	1
2	Flangia - Flange	Ghisa GJS 400 - Cast iron GJS 400	Verniciato - Painted	1
3	Seggio Sfera - Ball Seat	PTFE		2
4	Sfera - Ball	Ottone - Brass G-CuZn38Pb2 - UNI 5035*	Cromata - Chrome Plated	1
5	Asta - Stem	Ottone - Brass CW614N - UNI EN 12164		1
6	Anello Asta - Stem Ring	PTFE		1
7	Premistoppa - Packing Nut	Ottone - Brass CW614N - UNI EN 12164		1
8	Leva - Handle	Acciaio - Steel	Rivestito PVC - PVC coated	1
9	Cappuccio - Cap	Ottone - Brass CW617N - UNI EN 12165	Nichelato - Nickel Plated	1
10	Vite - Screw	Acciaio - Steel	Zincato - Zinc Plated	1
11	O-Ring	NBR		1

\* AISI 304 nel modello IVR 81 / AISI 304 in the IVR 81 model

Estremità flangiate  
UNI EN 1092

Flanged ends  
UNI EN 1092

Size

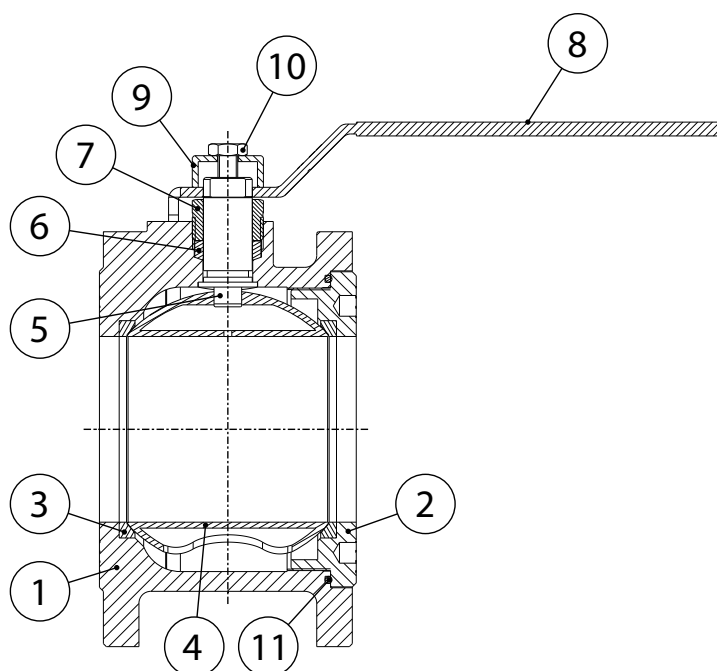


DN32-DN100 16 bar

ASTA ANTISCOPPIO  
ANTI BLOW-OUT STEM

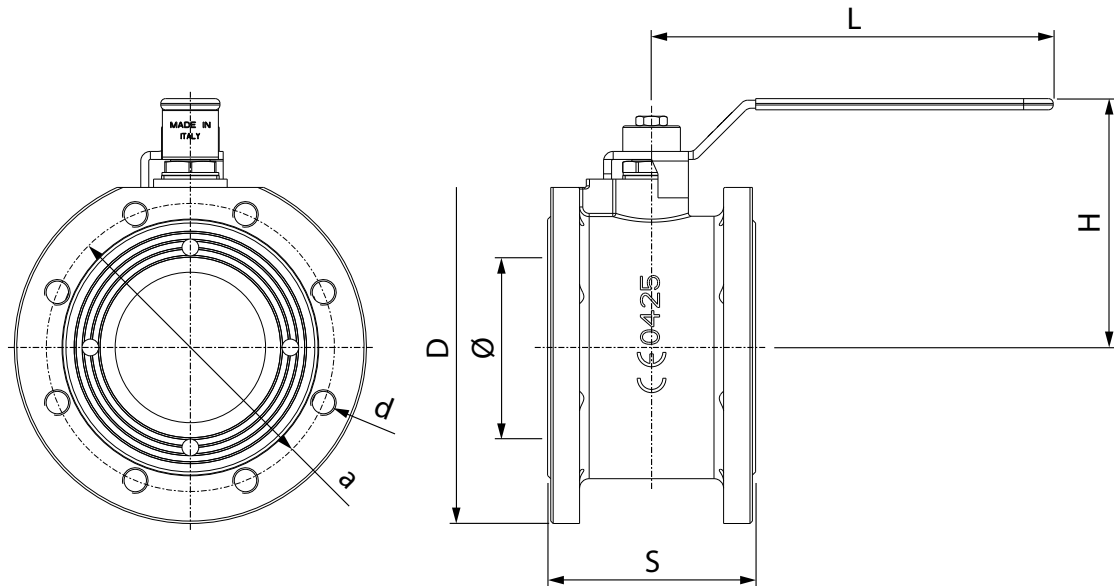
Max  
+150° C  
Min  
-10° C

CE 0425



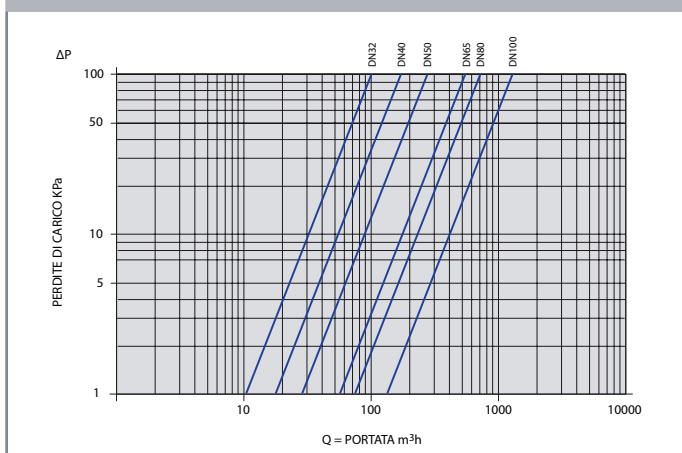
## DIMENSIONI - DIMENSIONS (mm)

Size	Ø	S	H	L	D	a	d
DN32	32	55	98	150	140	100	4xM16
DN40	40	62	105	150	150	110	4xM16
DN50	50	80	112	150	165	125	4xM16
DN65	61	100	144	240	185	145	4xM16
DN80	74	120	154	240	200	160	8xM16
DN100	95	130	144	260	220	180	8xM16



Size	KV
DN32	100
DN40	170
DN50	265
DN65	510
DN80	790
DN100	1230

### PERDITE DI CARICO - FLOW AND PRESSURE DROPS



### PRESSIONE / TEMPERATURA - PRESSURE / TEMPERATURE

