




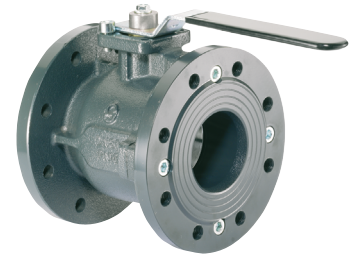


# GHISA - IVR 77 - IVR 78



-  Valvola a sfera in ghisa GJS 400 - attacchi flangiati PN 16 (IVR 77)  
Valvola a sfera in ghisa GJS 400 - asta e sfera inox - attacchi flangiati PN 16 (IVR 78)  
*Impieghi: installazioni idrotermosanitarie, acqua surriscaldata, aria compressa, acquedotti, idrocarburi (non gassosi) ed olii.*
-  Cast iron GJS 400 ball valve - flanged ends PN 16 (IVR 77)  
Cast iron GJS 400 ball valve - stainless steel stem and ball - flanged ends PN 16 (IVR 78)  
*Application: plumbing and heating installations, overheated water, compressed air, waterworks, hydrocarbons (non-gaseous) and oils.*
-  Kugelhahn aus Gusseisen GJS 400 - Flanschanschlüsse PN 16 (IVR 77)  
Kugelhahn aus Gusseisen GJS 400 - Stab und Kugel aus Edelstahl - Flanschanschlüsse PN 16 (IVR 78)  
*Einsatzbereiche: hydrothermische Sanitäreanlagen, überhitztes Wasser, Druckluft, Wasserleitungen, Kohlenwasserstoffen (nicht gasförmig) und Öle.*
-  Vanne à boisseau sphérique en fonte GJS 400 - fixations brides PN 16 (IVR 77)  
Vanne à boisseau sphérique en fonte GJS 400 - tige et sphère inox - fixations brides PN 16 (IVR 78)  
*Utilisations: Installations hydro-thermo sanitaires, eau surchauffée, air comprimé, aqueducs, hydrocarbures (non gazeux) et huiles.*
-  Шаровой кран из чугуна GJS 400 - Фланцевое соединение PN 16 (IVR 77)  
Шаровой кран из чугуна GJS 400 - Шток и шар из нержавеющей стали - Фланцевое соединение PN 16 (IVR 78)  
*Сфера применения: теплоснабжение, водоснабжение, сжатый воздух, (без газообразных) углеводородов, масла.*



N	PART NAME	MATERIAL	TREATMENT	QTY
1	Corpo - Body	Ghisa GJS 400 - Cast iron GJS 400	Verniciato - Painted	1
2	Flangia - Flange	Ghisa GJS 400 - Cast iron GJS 400	Verniciato - Painted	1
3	Seggio Sfera - Ball Seat	PTFE		2
4	Sfera - Ball	Ottone - Brass CW617N - UNI EN 12165 *	Cromata - Chrome Plated	1
5	Asta - Stem	AVP - 9SMnPb36 *		1
6	Rondella - Washer	PTFE		1
7	O-Ring	HNBR		1
8	Anello Asta - Stem Ring	PTFE		1
9	Premistoppa - Packing Nut	Ottone - Brass CW614N - UNI EN 12164		1
10	Leva - Handle	Acciaio - Steel	Rivestito PVC - PVC coated	1
11	Cappuccio - Cap	Ottone - Brass CW617N - UNI EN 12165	Nichelato - Nickel Plated	1
12	Vite - Screw	Acciaio - Steel	Zincato - Zinc Plated	1
13	O-Ring	HNBR		1
14	Perno di fermo - Stop Pin	Acciaio - Steel	Zincato - Zinc Plated	1
15	Vite - Screw	Acciaio - Steel	Zincato - Zinc Plated	0/4/8/12

Estremità flangiate  
UNI EN 1092

Flanged ends  
UNI EN 1092

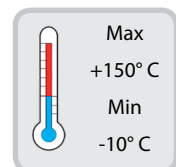
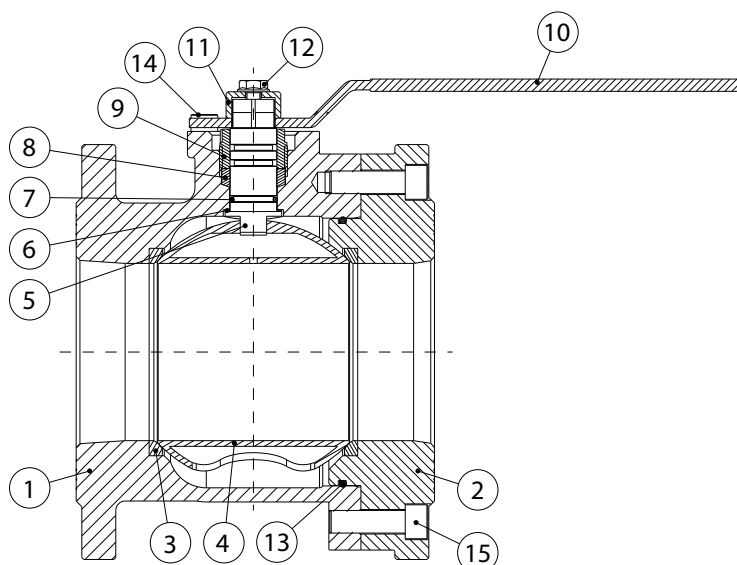
Size



DN20-DN150 16 bar

ASTA ANTISCOPPIO  
ANTI BLOW-OUT STEM

\* AISI 304 nel modello IVR 78 / AISI 304 in the IVR 78 model



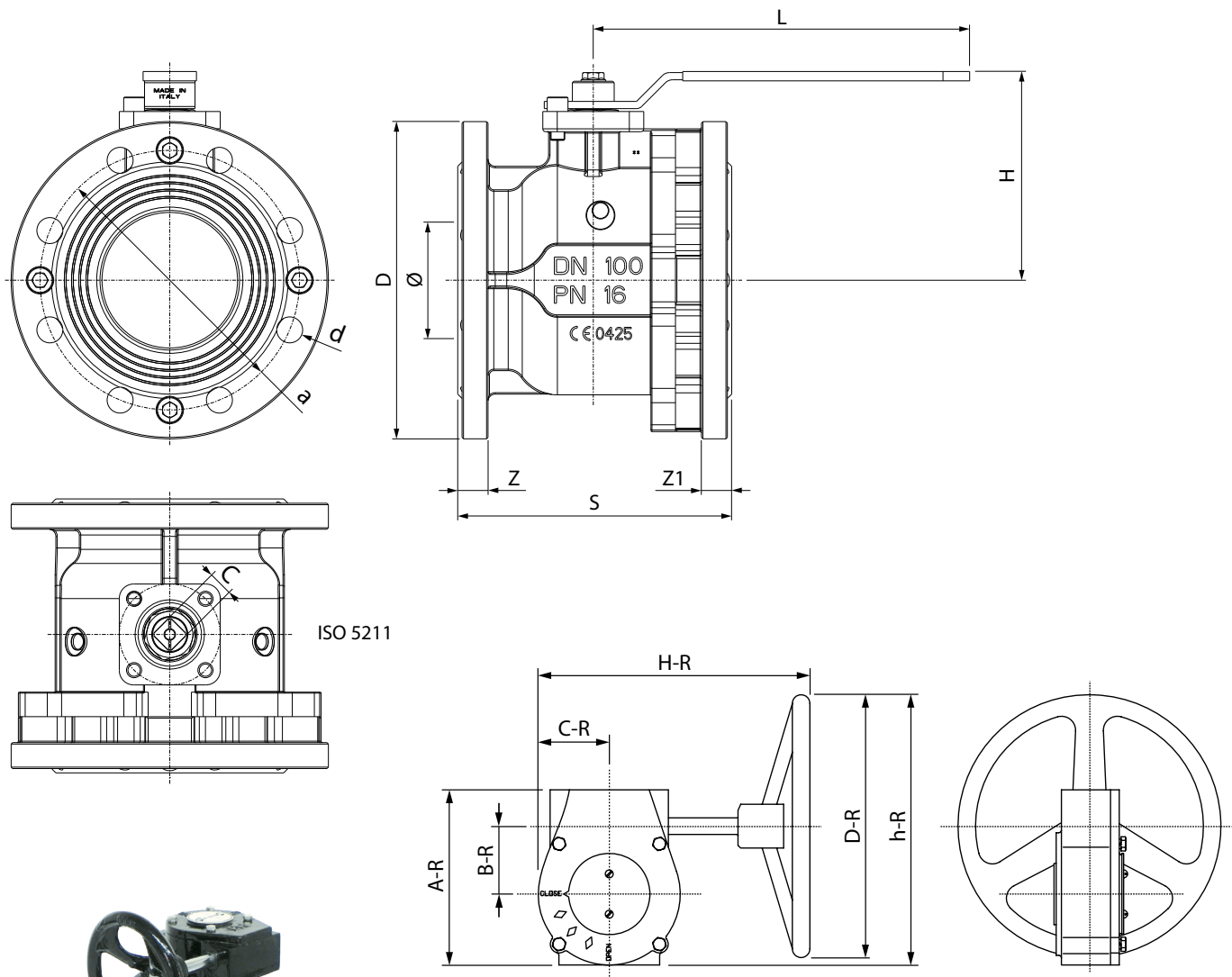
CE 0425

EAC



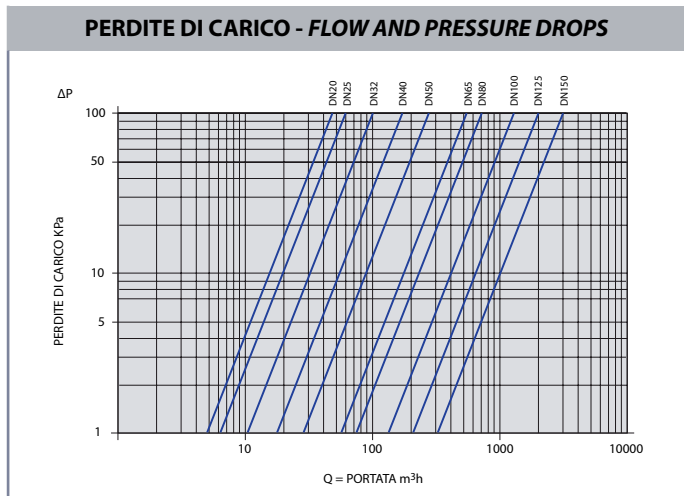
## DIMENSIONI - DIMENSIONS (mm)

Size	Ø	S	H	L	D	a	d	Z	Z1	ISO 5211	C	A-R	B-R	C-R	D-R	h-R	H-R
DN20	20	120	73	200	105	75	4xØ14	16	16	F04	9	*	*	*	*	*	*
DN25	25	125	77	200	115	85	4xØ14	16	16	F04	9	*	*	*	*	*	*
DN32	32	130	82	200	140	100	4xØ18	16	16	F04	9	*	*	*	*	*	*
DN40	40	140	92	240	150	110	4xØ18	17	20	F05	14	127	45	52	150	175	210
DN50	50	150	99	240	165	125	4xØ18	21	18	F05	14	127	45	52	150	175	210
DN65	61	170	121	260	185	145	4xØ18	20	20	F07	17	127	45	52	150	175	210
DN80	74	180	130	260	200	160	8xØ18	23	20	F07	17	127	45	52	150	175	210
DN100	95	190	144	260	220	180	8xØ18	21	21	F07	17	127	45	52	150	175	210
DN125	120	200	185	450	250	210	8xM16	22	36	F10	22	170	63	73	288	280	315
DN150	145	210	204	450	285	240	8xM20	22	33	F10	22	170	63	73	288	280	315



### SU RICHIESTA - ON REQUEST

- IVR 180 - Riduttore di manovra manuale
- IVR 180 - Manual gearbox
- IVR 180 - Manuelles Getriebe
- IVR 180 - Réducteur de manoeuvre manuelle
- IVR 180 - Ручной редуктор управления



Size	KV
DN20	45
DN25	60
DN32	100
DN40	170
DN50	265
DN65	510
DN80	790
DN100	1230
DN125	1900
DN150	2900

