

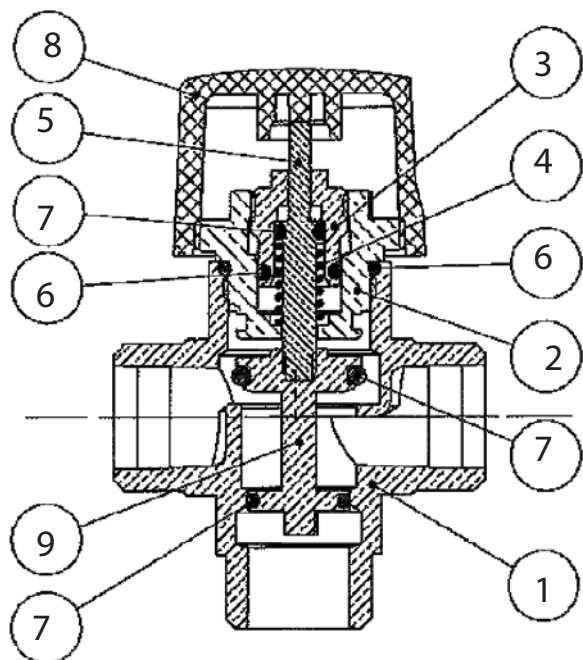
Valvola fan-coil a 3 vie - attacchi M/M

Fan-coil 3-way valve - M/M

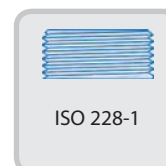
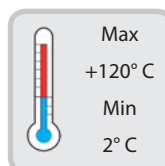
3-Wege Kugelhan für Gebläsekonvektoren - AG/AG

Vanne à 3 voies pour ventilo-convecteurs - M/M

3-ходовой клапан для фанкойлов, соединения Н/Н



N	DENOMINAZIONE PART NAME	MATERIALE MATERIAL	TRATTAMENTO TREATMENT
1	Corpo - body	Ottone - Brass CW 617N - UNI EN 12165/98	
2	Vitone - Bonnet	Ottone - Brass CW 614N - UNI EN 12164/98	
3	Guida asta - Guide	Ottone - Brass CW 614N - UNI EN 12164/9	
4	Molla - Spring	Acciaio - Steel AISI 302	
5	Asta - Stem	Ottone - Brass CW 614N - UNI EN 12164/98	Nichelato Nickel plated
6	O - Ring	NBR	
7	O - Ring	EPDM	
8	Volantino - Handle	ABS	
9	Otturatore - Shutter	Ottone - Brass CW 614N - UNI EN 12164/98	



Size	Code	F <small>UNI ISO 228/1</small>	S	L	H	h
DN10	174905001	G1/2"	53	36	48	30
DN15	174907001	G3/4"	56	36	48	28
DN20	174910001	G1"	65	36	52	35

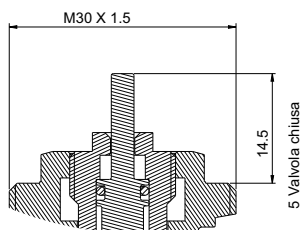
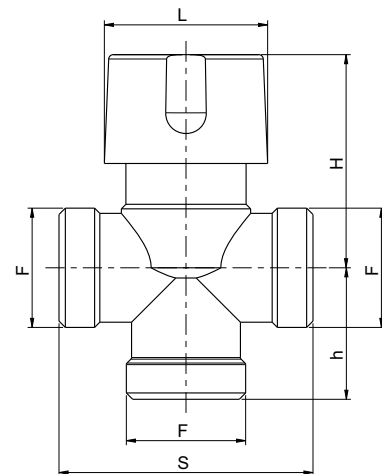
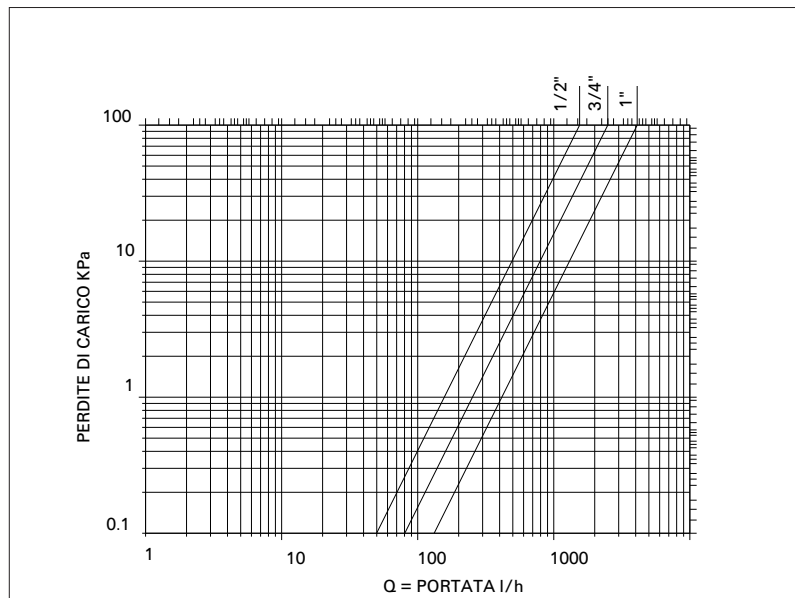
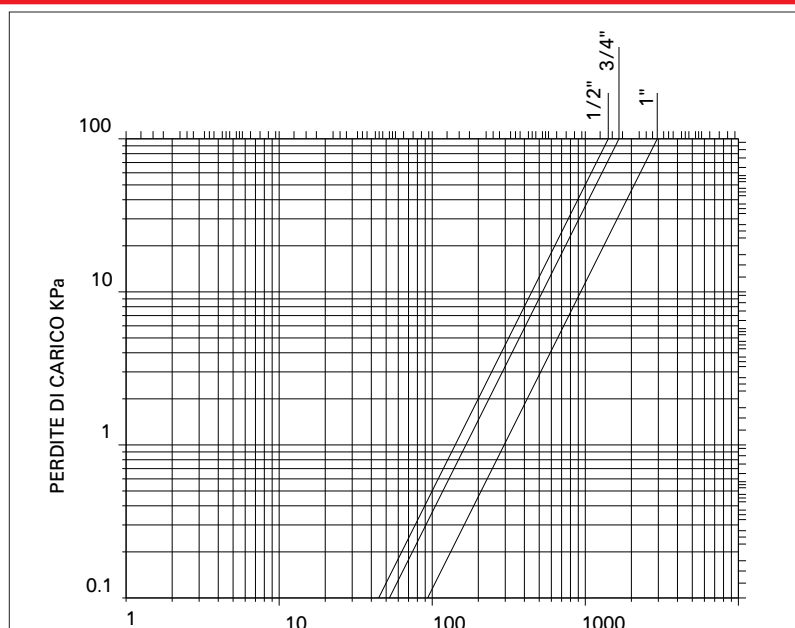


DIAGRAMMA PERDITE DI CARICO - FLOW AND PRESSURE DROP



IVR 749



IVR 749 By pass