




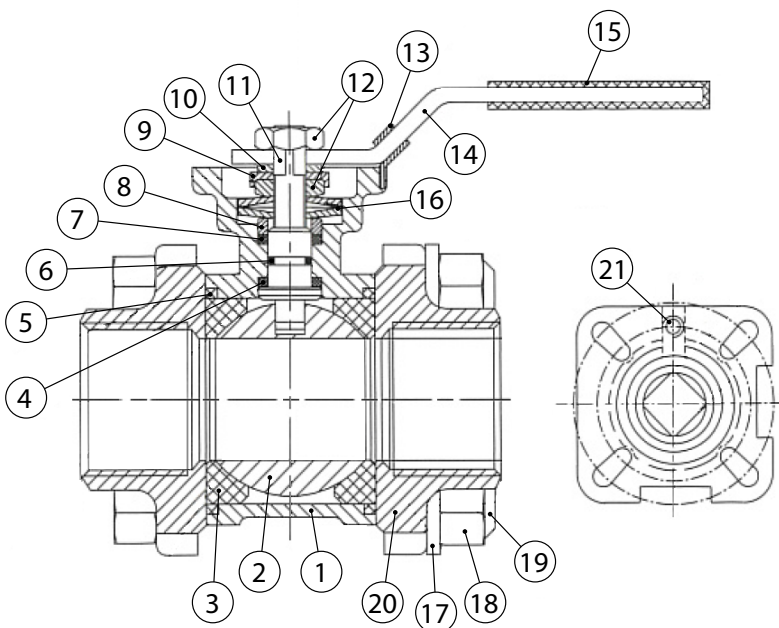
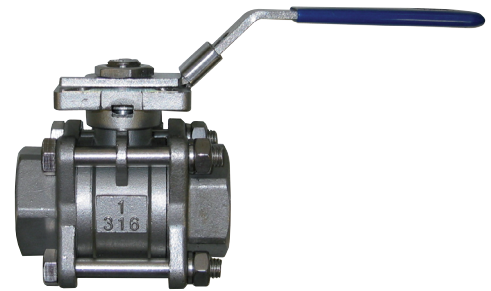


INOX - IVR 665

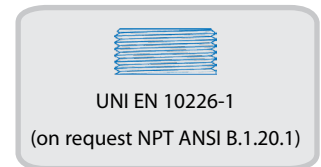
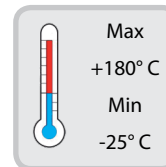
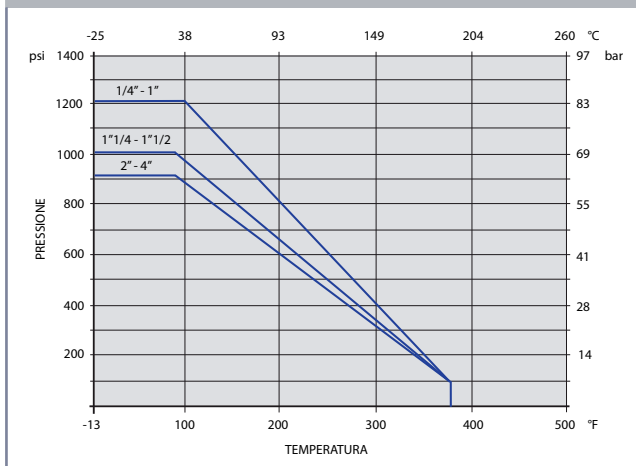


-  Valvola a sfera a passaggio totale in 3 pezzi in acciaio inox AISI 316
Attacchi F/F - Flangia ISO 5211
-  AISI 316 stainless steel three-piece full bore ball valve
Threaded ends F/F - ISO 5211 mounting plate
-  Dreiteiliger Kugelhahn mit vollem Durchgang aus Edelstahl AISI 316
IG/IG - Flanschplatte ISO 5211
-  Vanne à boisseau sphérique en trois pièces à passage intégral en acier
inox AISI 316 - fixations F/F - platine ISO 5211
-  Трёхсоставной полнопроходной шаровой кран из нержавеющей
стали AISI 316 - Соединения В/В - фланец ISO 5211

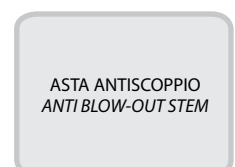


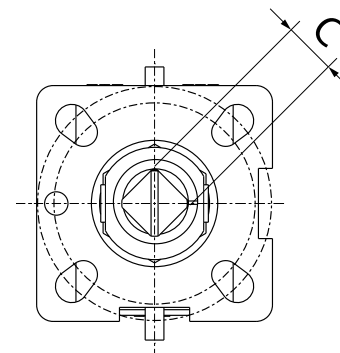
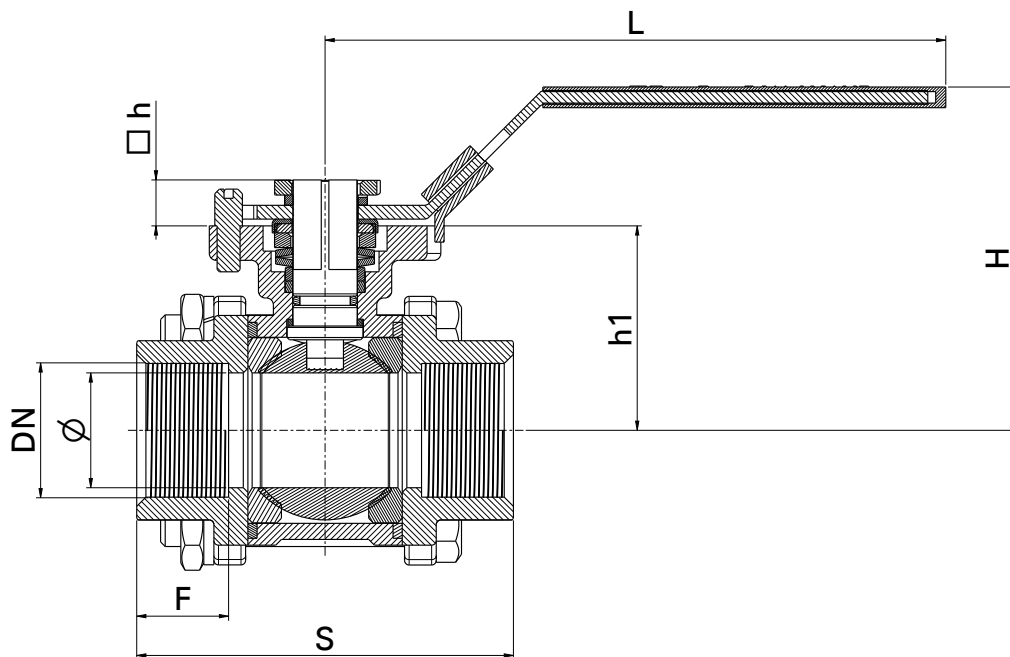
ITEM	PART NAME	MATERIAL	QTY
1	Corpo - Body	CF8M	1
2	Sfera - Ball	SS316	1
3	Seggio Sfera - Ball Seat	R-PTFE (15%)	2
4	Rondella - Thrust Washer	PTFE	1
5	Guarnizione Corpo - Body Gasket	PTFE	2
6	O-Ring	VITON	1
7	Guarnizione Asta - Stem Packing	PTFE	1
8	Anello Asta - Stem Ring	SS316	1
9	Dado di fermo - Nut Stopper	SS304	1
10	Rondella - Plate Washer	SS304	1
11	Asta - Stem	SS316	1
12	Dado - Nut	SS304	2
13	Dispositivo di blocco - Lock Device	SS304	1
14	Leva - Handle	SS304	1
15	Rivestimento Plastico - Plastic Cover	PLASTIC	1
16	Rondella - Washer	SS301	2
17	Rondella Molla - Spring Washer	SS304	4(12)
18	Dado - Nut	SS304	4(12)
19	Bullone - Bolt	SS304	4(6)
20	Manicotto - Body End	CF8M	2
21	Perno di fermo - Stop Pin	SS304	1

PRESSIONE / TEMPERATURA - PRESSURE / TEMPERATURE



DN	Pressure (bar)
1/4" - 1"	84 bar
1"1/4 - 1"1/2	70 bar
2" - 4"	63 bar

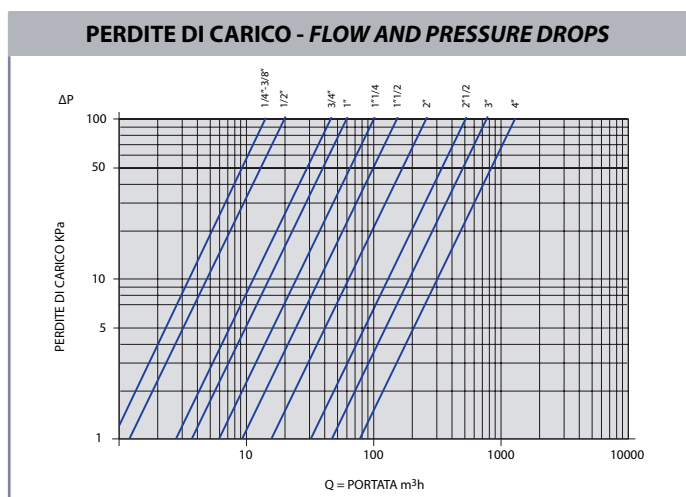




ISO 5211

DIMENSIONI - DIMENSIONS (mm)

DN	Ø	S	F	H	L	ISO 5211	C	□h	h1	N/m
1/4"	11	48	10	59	115	F03	9	8	32.5	4
3/8"	12.5	48	11	59	115	F03	9	8	32.5	4
1/2"	15	54	15	70	117	F03/F04	9	9	37.1	5
3/4"	20	73	16	78	134	F04/F05	11	11	42.2	8
1"	25	80	19	87	134	F04/F05	11	11	45	10
1"1/4	32	90	21	98	203	F05/F07	14	12.5	54	14
1"1/2	40	102	21	104	203	F05/F07	14	12.5	59.5	18
2"	50	118	25	112	203	F05/F07	14	12	68	25
2"1/2	65	151	30	140	255	F07/F10	17	17	100	48
3"	80	182	33	153	255	F07/F10	17	19	112.5	75
4"	100	218	39	166	302	F07/F10	17	20	125.5	110



DN	KV
1/4"	15
3/8"	15
1/2"	20
3/4"	45
1"	60
1"1/4	100
1"1/2	170
2"	265
2"1/2	510
3"	790
4"	1230