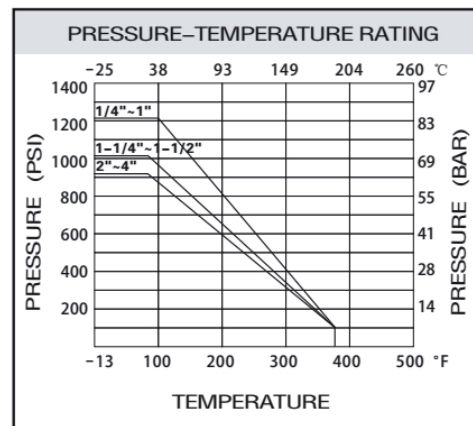
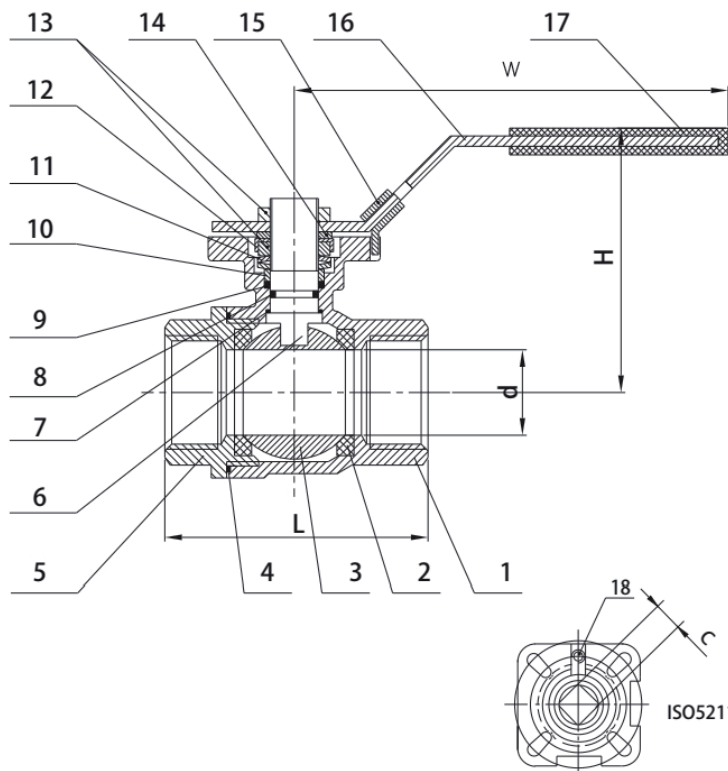


INOX - IVR 662



- Valvola a sfera a passaggio totale in acciaio inox AISI 316
- attacchi F/F - Flangia ISO 5211
- Full bore ball valve in stainless steel AISI 316
- F/F - Flange ISO 5211
- Kugelhahn mit vollem Durchgang aus rostfreiem Stahl
AISI 316 - IG/IG - Flansche ISO 5211
- Vanne à boisseau sphérique avec passage total en acier inox
AISI 316 - F/F - Bride ISO 5211
- Кран шаровой полнопроходной из нержавеющей стали
AISI 316 - соединения В/В- фланец ISO 5211

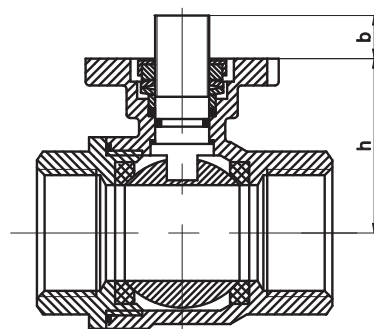


MATERIAL LIST

ITEM	PART	MATERIAL	QTY
1	Body	CF8M	1
2	Ball Seat	R-PTFE (15%)	2
3	Ball	SS316	1
4	Body Gasket	PTFE	1
5	Cap	CF8M	1
6	Stem	SS316	1
7	Thrust Washer	PTFE	1
8	O-ring	VITON	1
9	Stem Packing	PTFE	1
10	Packing Ring	SS304	1
11	Belleville Washer	SS301	2
12	Nut Stopper	SS304	1
13	Nut	SS304	2
14	Plate Washer	SS304	1
15	Lock Device	SS304	1
16	Handle	SS304	1
17	Plastic Cover	Plastic	1
18	Stop Pin	SS304	1

DIMENSION LIST

SIZE	d	L	H	W	C	ISO5211	N · m	Kgs
1/4"	11.5	56	65	115	9	F03	5	0.37
3/8"	12.5	56	65	115	9	F03	5	0.35
1/2"	15	57	65	117	9	F03/F04	5	0.37
3/4"	20	64	70	117	9	F03/F04	8	0.49
1"	25	77	75	134	11	F04/F05	10	0.74
1-1/4"	32	90	85	134	11	F04/F05	14	1.18
1-1/2"	40	105	95	203	14	F05/F07	18	1.94
2"	50	125	105	203	14	F05/F07	25	2.90
2-1/2"	65	153	140	255	17	F07/F10	48	5.77
3"	76	172	145	255	17	F07/F10	75	8.45
4"	94	221	175	302	17	F07/F10	110	15.60



DN	h	b
1/4"	37	8.7
3/8"	37	8.7
1/2"	37	8.7
3/4"	42.2	8.8
1"	45.5	10.7
1-1/4"	54	10.5
1-1/2"	59.5	14
2"	67.5	13.5
2-1/2"	93	18.5
3"	109	17.5
4"	121	20.5

Size

1/4"-1" 84 bar

1 1/4"-1 1/2" 70 bar

2"-4" 63 bar

Max

+180 °C

Min

-25 °C

Estremità filettate
UNI ISO 228