

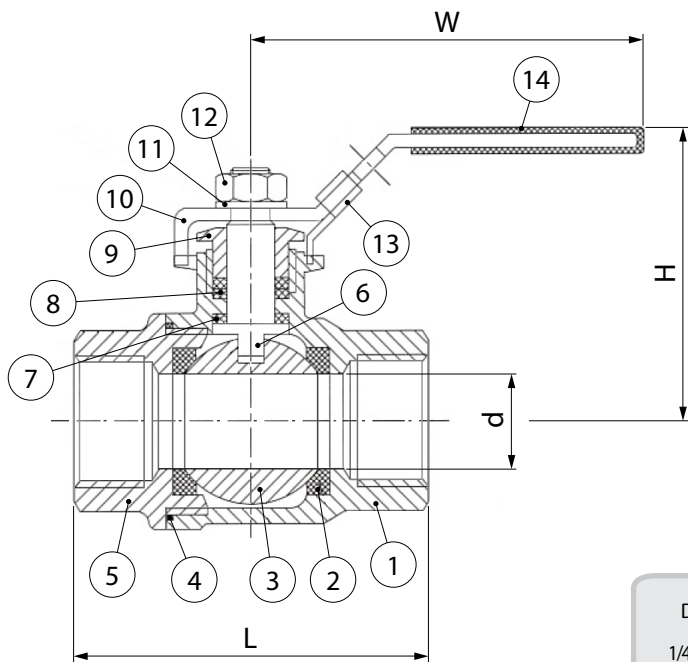
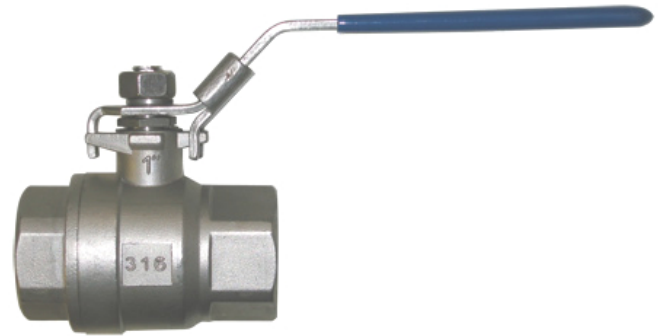
Valvola a sfera a passaggio totale in acciaio inox AISI 316
Attacchi F/F

Full bore ball valve in stainless steel AISI 316
Threaded ends F/F

Kugelhahn mit vollem Durchgang aus Edelstahl
AISI 316 - IG/IG

Vanne à boisseau sphérique à passage intégral en
acier inox AISI 316 - fixations F/F

Полнопроходной шаровой кран из нержавеющей
стали AISI 316 - Соединения В/В



DIMENSIONI - DIMENSIONS (mm)

DN	d	L	H	W	N/m	Kgs
1/4"	11.5	49	54	105	4	0.23
3/8"	12.5	49	54	105	4	0.23
1/2"	15	57	56	105	5	0.24
3/4"	20	64	65	118	8	0.45
1"	25	77	70	150	10	0.65
1 1/4"	32	90	75	150	14	1.05
1 1/2"	40	105	93	182	18	1.70
2"	50	125	99	182	25	2.61
2 1/2"	65	153	123	254	48	5.01
3"	76	172	140	254	75	7.61
4"	94	221	175	285	110	14.75

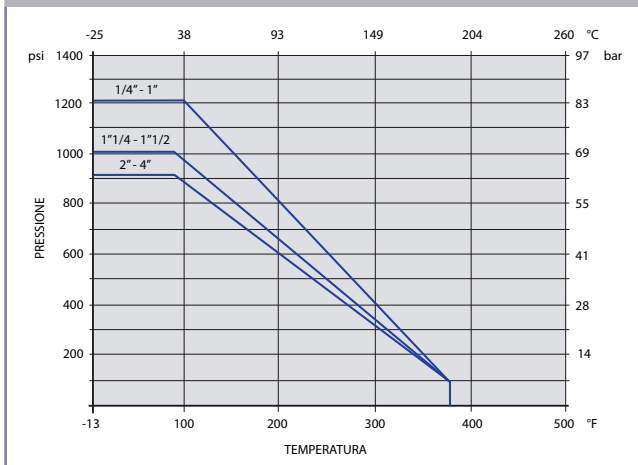
DN	Max
1/4" - 1"	84 bar
1 1/4" - 1 1/2"	70 bar
2" - 4"	63 bar

Max	Min
+180° C	-25° C

UNI ISO 228/1
(on request NPT ANSI B.1.20.1)



PRESSIONE / TEMPERATURA - PRESSURE / TEMPERATURE



ITEM	PART NAME	MATERIAL	QTY
1	Corpo - Body	CF8M	1
2	Seggio Sfera - Ball Seat	R-PTFE (15%)	2
3	Sfera - Ball	SS316	1
4	Guarnizione Corpo - Body Gasket	PTFE	1
5	Manicotto - Body End	CF8M	1
6	Asta - Stem	SS316	1
7	Rondella - Thrust Washer	PTFE	1
8	Guarnizione Asta - Stem Packing	PTFE	1
9	Dado Premistoppa - Gland Nut	SS304	1
10	Leva - Handle	SS304	1
11	Rondella Molla - Spring Washer	SS304	1
12	Dado - Nut	SS304	1
13	Dispositivo di blocco - Lock Device	SS304	1
14	Rivestimento Plastico - Plastic Cover	PLASTIC	1

Tutte le caratteristiche tecniche dei prodotti sono soggette a modifiche senza preavviso - All product's technical specifications are subject to modification without prior notice