

# BOCCHETTONE - IVR 60



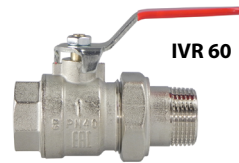
Valvola a sfera a passaggio totale con bocchettone - Attacchi filettati M/F  
Impieghi: impiantistica idraulica civile e industriale, installazioni idrotermosanitarie.

Full bore ball valve with male union connection - Threaded ends M/F  
Application: hydraulic domestic and industrial installations, sanitary systems.

Kugelhahn voller Durchgang mit Rohrverschraubung - AG/IG  
Anwendung: Sanitäreanlagen, Hausanlagen, Industrieanlagen, Wasser- und Thermoanlagen.

Vanne à boisseau sphérique à passage intégral avec raccord - fixations M/F  
Application: projets civils et industriels, installations hydro termo sanitaires.

Полнопроходной шаровой кран с накидной гайкой - соединения Н/В  
Сфера применения: для гидравлических систем жилых помещений и промышленных, для гидро-тепло-санитарных нужд.



IVR 60



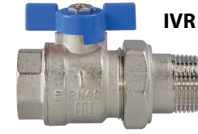
IVR 60 LB



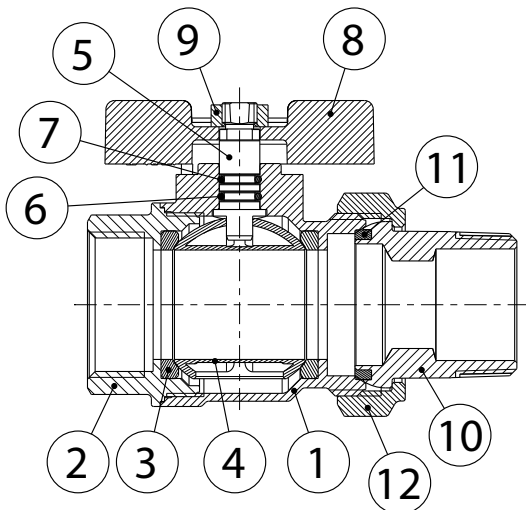
IVR 60/A FN



IVR 60/A



IVR 60/A FB

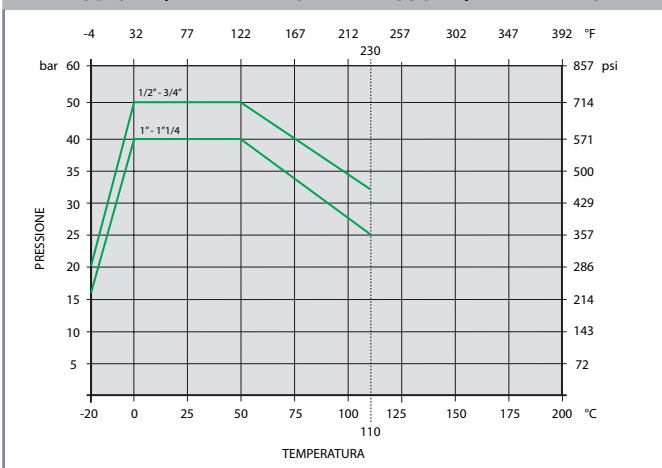


N	DENOMINAZIONE PART NAME	MATERIALE MATERIAL	TRATTAMENTO TREATMENT
1	Corpo - Body	Ottone - Brass CW617N - UNI EN 12165	Nichelato - Nickel-plated
2	Manicotto - Body end	Ottone - Brass CW617N - UNI EN 12165	Nichelato - Nickel-plated
3	Seggio - Seat	PTFE	
4	Sfera - Ball	Ottone - Brass CW617N - UNI EN 12165	Cromata - Chrome plated
5	Asta - Stem	Ottone - Brass CW614N - UNI EN 12164	
6	O-Ring	EPDM *	
7	O-Ring	HNBR **	
8	Maniglia - Handle	Alluminio - Aluminum	Verniciato - Painted
9	Dado - Nut	Acciaio - Steel	Zincato - Zinc-plated
10	Codolo - Union	Ottone - Brass CW617N - UNI EN 12165	Nichelato - Nickel-plated
11	Guarnizione - Gasket	PTFE	
12	Calotta - Nut	Ottone - Brass CW617N - UNI EN 12165	Nichelato - Nickel-plated

\* FKM solo per DN 1" - FKM only for DN 1"

\*\* NBR solo per DN 1" - NBR only for DN 1"

## PRESSIONE / TEMPERATURA - PRESSURE / TEMPERATURE



DN

1/2" - 3/4" 50 bar  
1" - 1 1/4" 40 bar

Max +110 °C  
Min -20 °C

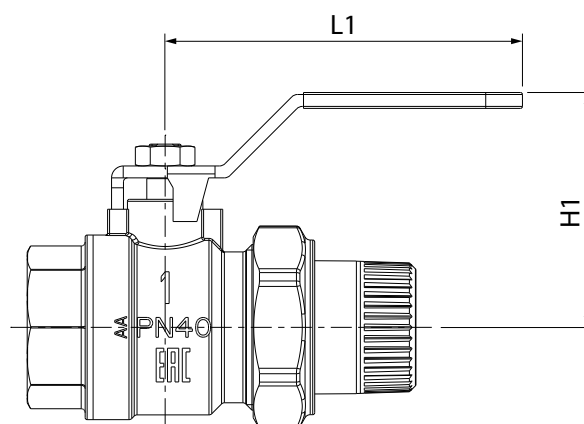
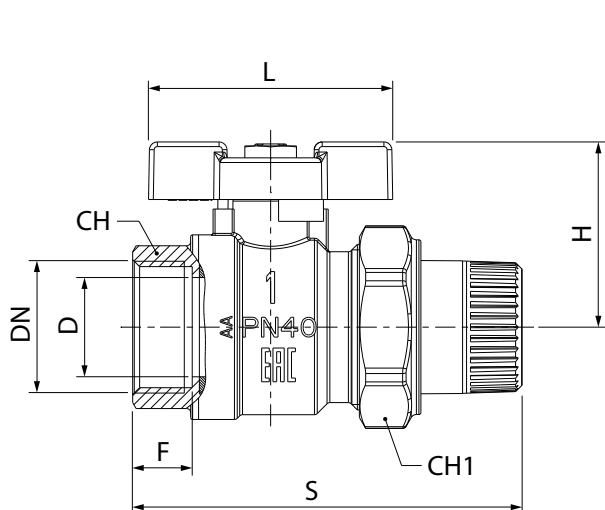
UNI ISO 228/1



ASTA ANTISCOPPIO  
ANTI BLOW-OUT STEM



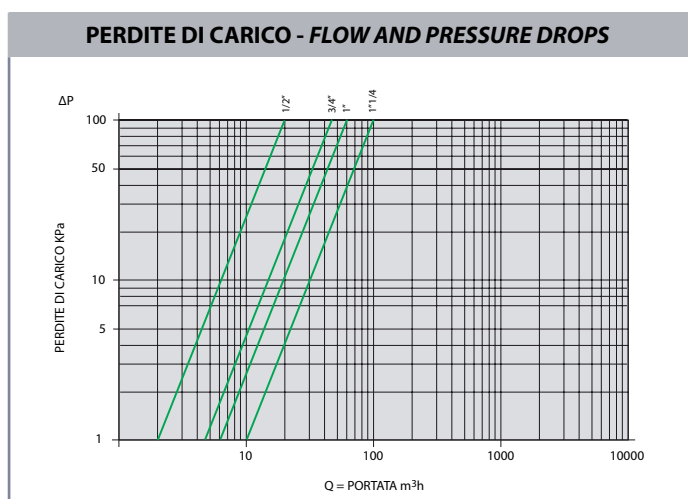
Tutte le caratteristiche tecniche dei prodotti sono soggette a modifiche senza preavviso - All product's technical specifications are subject to modification without prior notice



Maniglia acciaio con rivestimento PVC  
Steel handle PVC coated

## DIMENSIONI - DIMENSIONS (mm)

DN	D	F	S	H	H1	L	L1	CH	CH1
1/2"	15	11	74	37	44	50	81	25	30
3/4"	20	13	86	40	47	50	81	31	37
1"	25	15	98	47	59	61	90	38	46
1"1/4	32	17	111	57	69	72	125	47	52



Misura - Size	KV
1/2" - 15	20
3/4" - 20	45
1" - 25	60
1"1/4 - 32	100