

EXPORT NPT - IVR 45 NPT



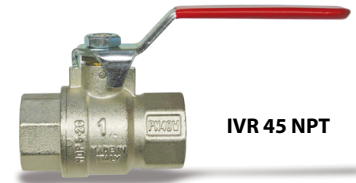
Valvola a sfera a passaggio totale. Attacchi filettati F/F
Impieghi: impiantistica idraulica, installazioni idrotermosanitarie, acquedotti, aria compressa, idrocarburi.

Full bore ball valve. Threaded ends F/F
Application: hydraulic, sanitary, compressed air industries, hydrocarbons.

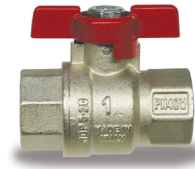
Kugelhahn mit vollem Durchgang. Anschlüsse IG/IG
Anwendung: Hydraulik, Sanitär, Druckluft-Industrie, Kohlenwasserstoffe

Vanne à boisseau sphérique à passage intégral. Fixations F/F
Application: hydraulique, sanitaire, air comprimé, hydrocarbures

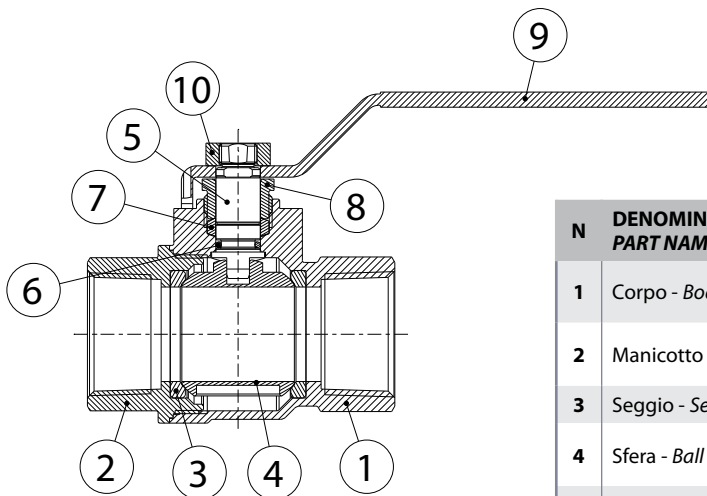
Полнопроходной шаровой кран - соединения В/В
Сфера применения: гидравлика, санитария, орошение, сжатый воздух.



IVR 45 NPT

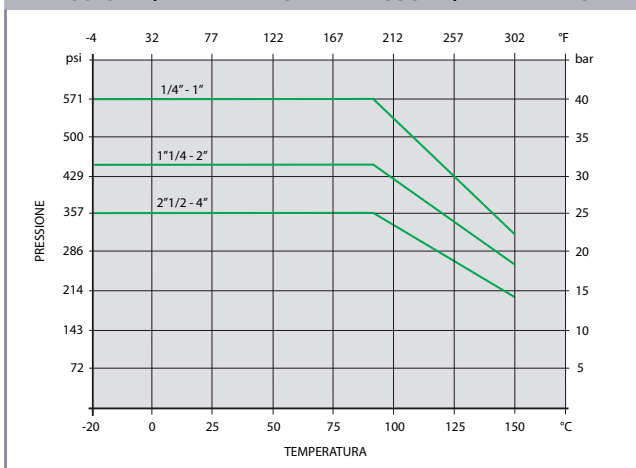


IVR 45/A NPT



N	DENOMINAZIONE PART NAME	MATERIALE MATERIAL	TRATTAMENTO TREATMENT
1	Corpo - Body	Ottone - Brass CW617N - UNI EN 12165	Nichelato - Nickel-plated
2	Manicotto - Body end	Ottone - Brass CW617N - UNI EN 12165	Nichelato - Nickel-plated
3	Seggio - Seat	PTFE	
4	Sfera - Ball	Ottone - Brass CW617N - UNI EN 12165	Cromata - Chrome plated
5	Asta - Stem	Ottone - Brass CW614N - UNI EN 12164	
6	O-Ring	FKM	
7	Guarnizione asta - Stem packing	PTFE	
8	Premistoppa - Packing nut	Ottone - Brass CW614N - UNI EN 12164	
9	Maniglia - Handle	Acciaio - Steel	Rivest. PVC - Plastic coated
10	Dado - Nut	Acciaio - Steel	Zincato - Zinc-plated

PRESSIONE / TEMPERATURA - PRESSURE / TEMPERATURE



DN	Pressure (bar)
1/4" - 1"	40 bar
1 1/4" - 2"	32 bar
2 1/2" - 4"	25 bar

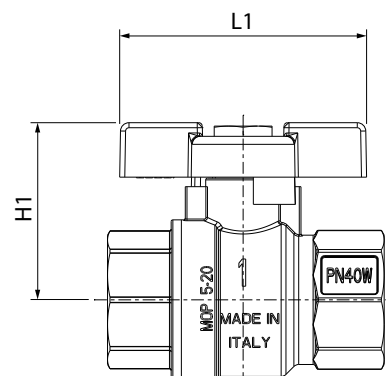
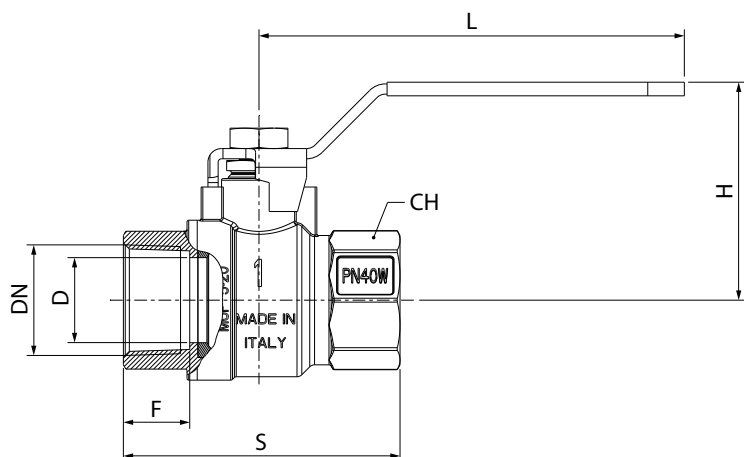
Temperature (°C)
Max +150 °C
Min -20 °C

Thread Standard
NPT ANSI B.1.20.1

ASTA ANTISCOPPIO
ANTI BLOW-OUT STEM



Tutte le caratteristiche tecniche dei prodotti sono soggette a modifiche senza preavviso - All product's technical specifications are subject to modification without prior notice

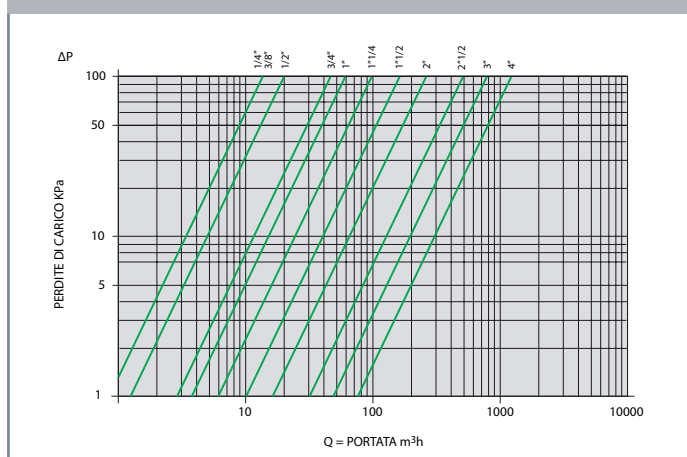


Maniglia farfalla alluminio
Aluminum butterfly handle

DIMENSIONI - DIMENSIONS (mm)

DN	D	F	S	H	H1	L	L1	CH
1/4"	10	12	45	41	33	80	52	21
3/8"	10	12	45	41	33	80	52	21
1/2"	15	16	60	54	39	90	62	26
3/4"	20	17	67	58	43	90	62	31
1"	25	19,5	80	66	52	125	72	38
1"1/4	32	21	89	71	57	125	-	48
1"1/2	40	21	98	80	-	140	-	55
2"	50	22	112	88	-	140	-	68
2"1/2	61	27,5	140	131	-	250	-	85
3"	74	30,5	159	140	-	250	-	99
4"	95	38	196	156	-	250	-	125

PERDITE DI CARICO - FLOW AND PRESSURE DROPS



Misura - Size	KV
1/4" - 10	15
3/8" - 10	15
1/2" - 15	20
3/4" - 20	45
1" - 25	60
1"1/4 - 32	100
1"1/2 - 40	170
2" - 50	265
2"1/2 - 61	510
3" - 74	790
4" - 95	1230