




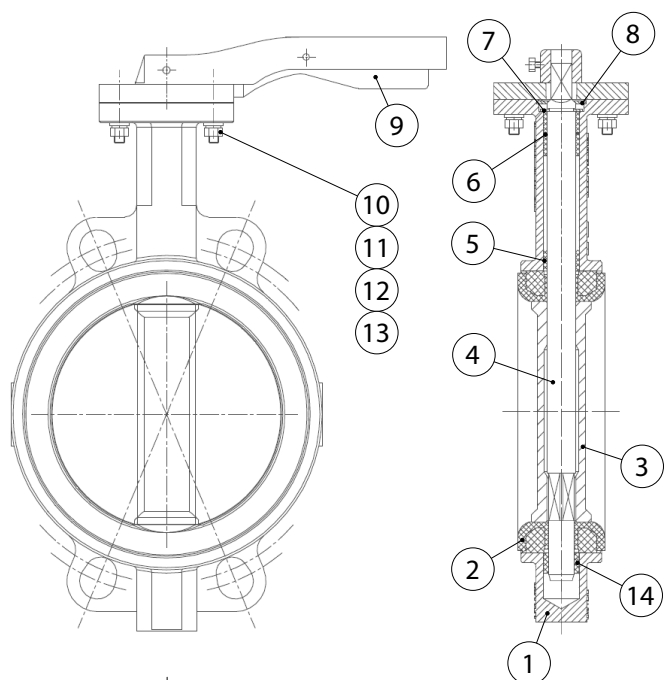


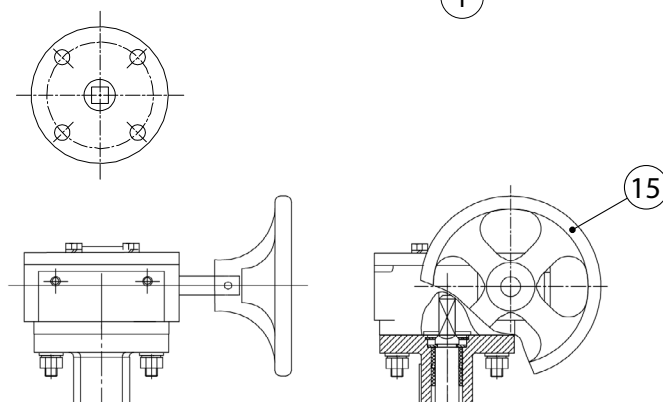
-  Valvola a farfalla in ghisa tipo WAFER - attacchi flangiati PN16
-  Cast iron butterfly valve WAFER type - flanged ends PN16
-  Absperrklappe aus Gusseisen - WAFER Typ - Flanschanschlüsse PN16
-  Vanne papillon en fonte type WAFER - fixations brides PN16
-  Дисковый затвор "Баттерфляй" из чугуна - тип WAFER - Фланцевое соединение PN16



ITEM	PART NAME	MATERIAL	QTY
1	Corpo - Body	Cast Iron	1
2	Guarnizione Disco - Disc Seat	EPDM	1
3	Disco - Disc	Cast Iron	1
4	Asta - Stem	SS416	1
5	Cuscinetto - Bearing	Composite Polymer	3
6	O-Ring	EPDM	1
7	Rondella ad U - U-Shaped Washer	Carbon Steel	1
8	Anello di Sicurezza - Retaining Ring	Spring Steel	1
9*	Leva - Handle	Aluminum	1
10	Bullone - Bolt	SS304	2
11	Rondella Molla - Spring Washer	SS304	2
12	Dado - Nut	SS304	2
13	Rondella Piatta - Plate Washer	SS304	2
14	Cuscinetto senza olio - Oilless Bearing	Composite Polymer	1

\* Le misure DN250 e DN300 sono fornite con riduttore di manovra manuale (15)

\* DN250 and DN300 sizes are supplied with manual gearbox (15)



Size 

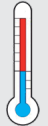
DN40-DN300 16 bar

Estremità flangiate  
UNI EN 1092  
ASME 150LB  
JIS 10K

Flanged ends  
UNI EN 1092  
ASME 150LB  
JIS 10K

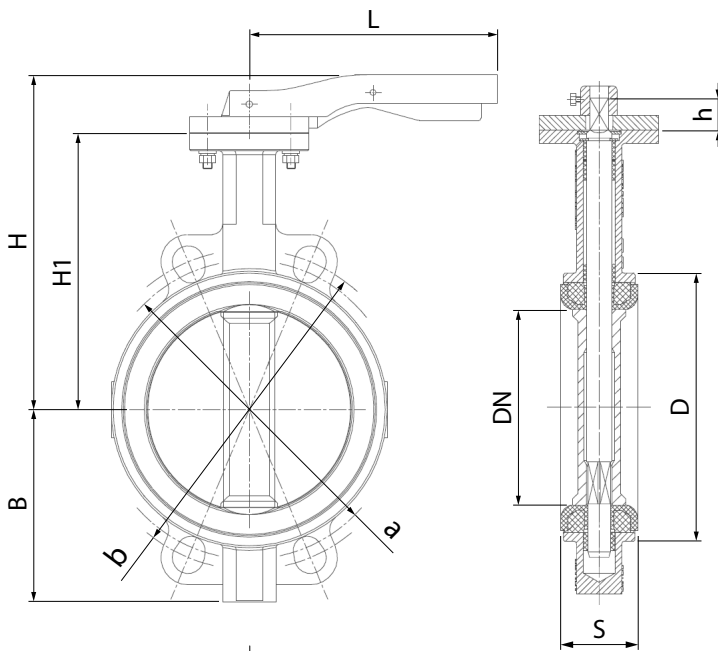
Max  
+120° C

Min  
-20° C

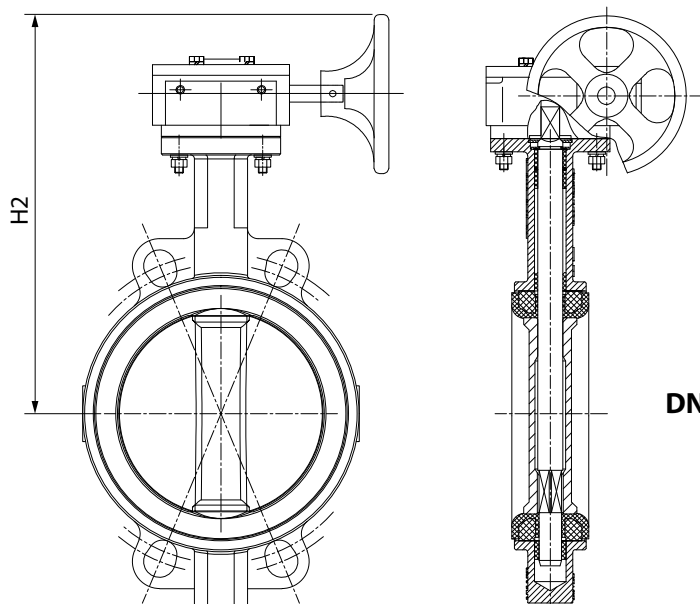
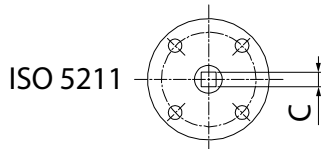



## DIMENSIONI - DIMENSIONS (mm)

DN	S	H	H1	H2	B	L	D	h	a	b	ISO 5211	C
40	33	190	129	*	75	195	87	34	105	110	F05	9
50	43	190	129	*	75	195	87	34	105	125	F05	9
65	46	197	136	*	82	195	101	34	127	145	F05	9
80	46	223	153	*	99	195	116	34	145	160	F05	9
100	52	252	167	*	110	275	148	38	165	190	F07	11
125	56	263	193	*	125	275	172	38	200	216	F07	14
150	56	277	209	*	145	275	202	38	225	241	F07	14
200	60	341	251	*	170	325	254	46	280	298	F10	17
250	68	*	283	328		*	309	46	355	362	F10	22
300	78	*	315	360		*	362	46	390	432	F10	22



**DN40 - DN200**



**DN250 - DN300**