




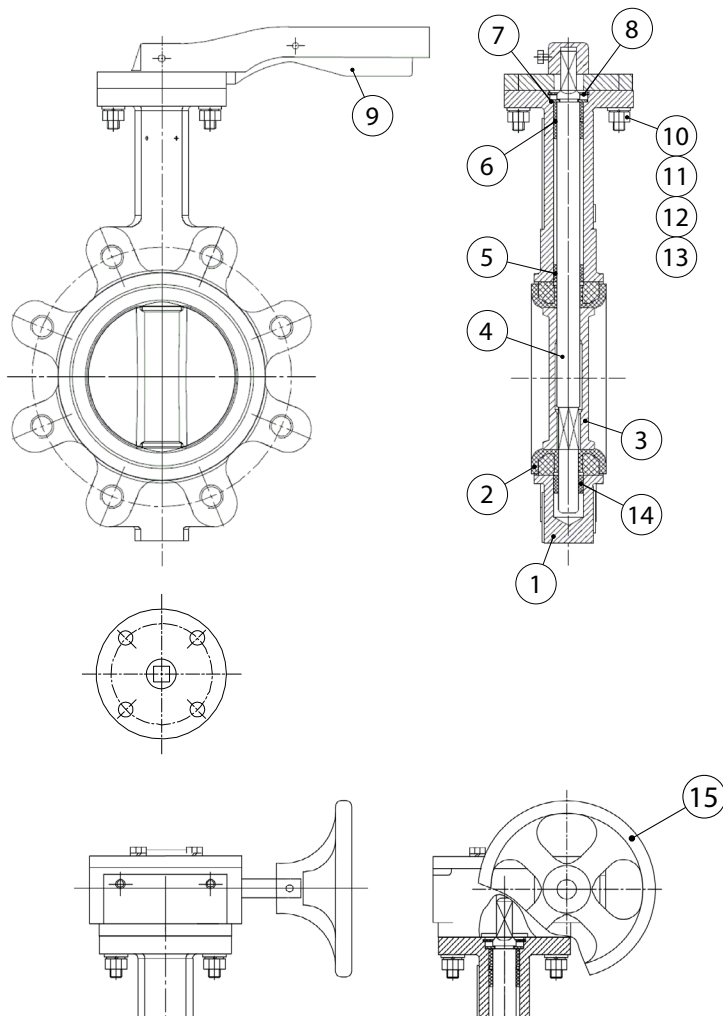


-  Valvola a farfalla in ghisa tipo LUG - attacchi flangiati PN16
-  Cast iron butterfly valve LUG type - flanged ends PN16
-  Absperrklappe aus Gusseisen - LUG Typ - Flanschanschlüsse PN16
-  Vanne papillon en fonte type LUG - fixations brides PN16
-  Дисковый затвор "Баттерфляй" из чугуна - тип LUG - Фланцевое соединение PN16



ITEM	PART NAME	MATERIAL	QTY
1	Corpo - Body	Cast Iron	1
2	Guarnizione Disco - Disc Seat	EPDM	1
3	Disco - Disc	Cast Iron	1
4	Asta - Stem	SS416	1
5	Cuscinetto - Bearing	Composite Polymer	3
6	O-Ring	EPDM	1
7	Rondella ad U - U-Shaped Washer	Carbon Steel	1
8	Anello di Sicurezza - Retaining Ring	Spring Steel	1
9*	Leva - Handle	Aluminum	1
10	Bullone - Bolt	SS304	2
11	Rondella Molla - Spring Washer	SS304	2
12	Dado - Nut	SS304	2
13	Rondella Piatta - Plate Washer	SS304	2
14	Cuscinetto senza olio - Oilless Bearing	Composite Polymer	1

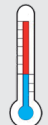
* Le misure DN250 e DN300 sono fornite con riduttore di manovra manuale (15)

* DN250 and DN300 sizes are supplied with manual gearbox (15)

Size 
DN40-DN300 16 bar

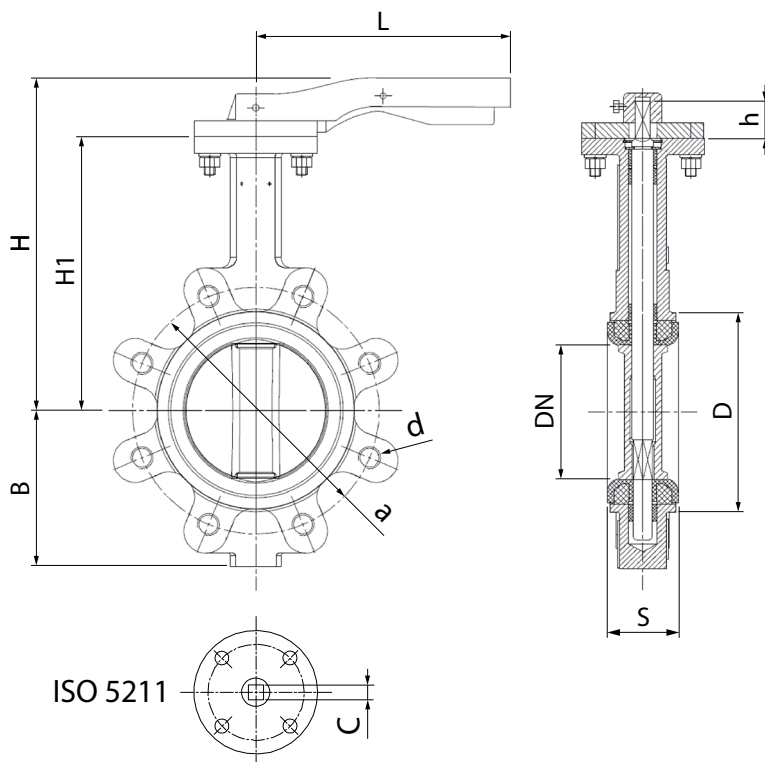
Estremità flangiate
UNI EN 1092
Flanged ends
UNI EN 1092

Max
+120° C
Min
-10° C

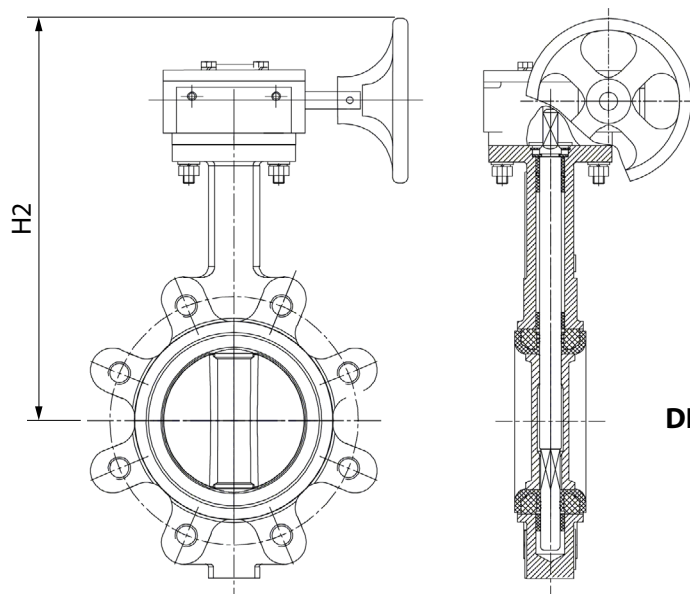



DIMENSIONI - DIMENSIONS (mm)

DN	S	H	H1	H2	B	L	D	h	a	d	ISO 5211	C
40	43	222	161	*	79	195	86	26	110	4xM16	F07	9
50	43	222	161	*	79	195	86	26	125	4xM16	F07	9
65	46	236	175	*	82	195	101	30	145	4xM16	F07	9
80	46	268	181	*	95	195	121	30	160	8xM16	F07	9
100	52	285	200	*	114	275	144	30	180	8xM16	F07	11
125	56	263	193	*	125	275	171	30	210	8xM16	F07	14
150	56	277	209	*	139	275	200	40	240	8xM20	F07	14
200	60	341	251	*	175	325	256	40	295	12xM20	F10	17
250	68	*	283	328	213	*	311	40	355	12xM20	F10	22
300	78	*	315	360	238	*	364	40	410	12xM24	F10	22



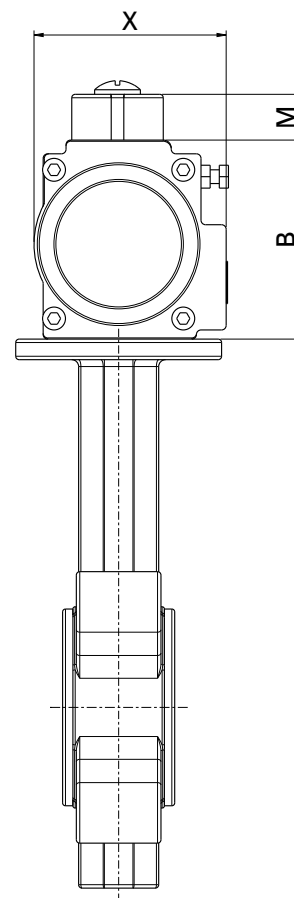
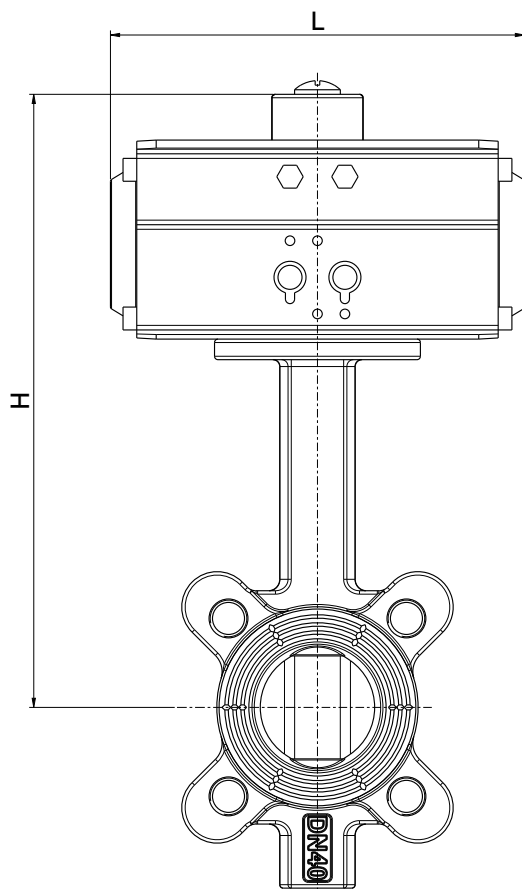
DN40 - DN200



DN250 - DN300

DIMENSIONI - DIMENSIONS (mm)

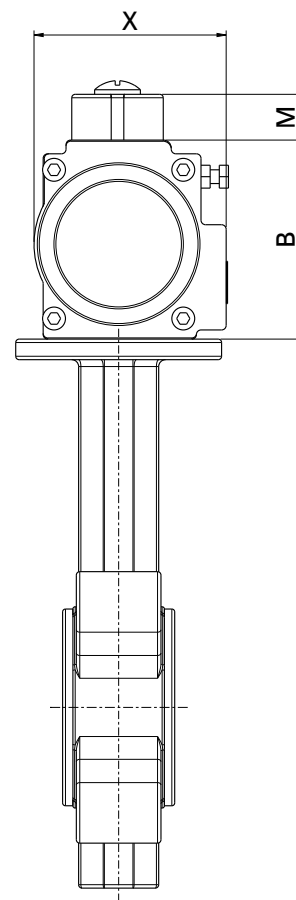
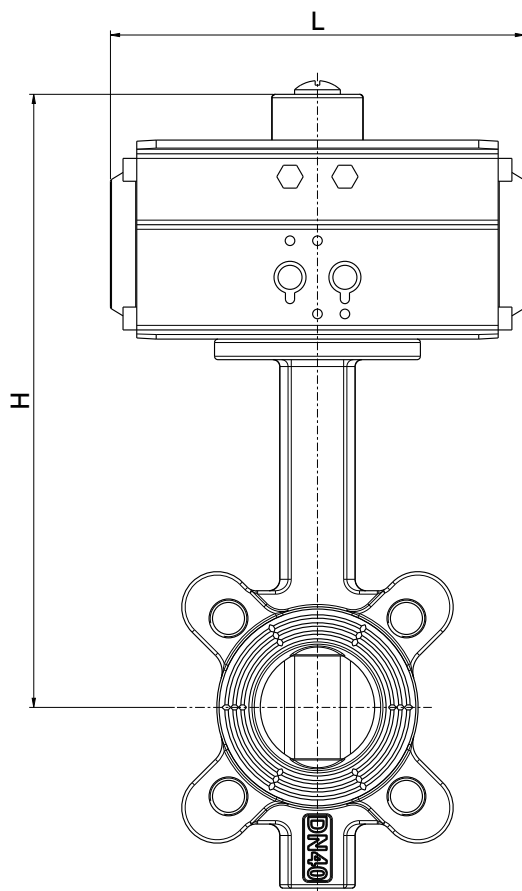
DN	H	L	B	X	M	ACTUATOR MODEL
40	269	165	88	83	20	AT63 DE
50	269	165	88	83	20	AT63 DE
65	283	165	88	83	20	AT63 DE
80	289	165	88	83	20	AT63 DE
100	329	208	109	103	20	AT83 DE
125	329.5	262	116.5	108.5	20	AT92 DE
150	362	270	133	121.5	20	AT105 DE



IVR 175 + 270

DIMENSIONI - DIMENSIONS (mm)

DN	H	L	B	X	M	ACTUATOR MODEL
40	269	165	88	83	20	AT63 SE
50	280.5	182	99.5	95	20	AT75 SE
65	304	208	109	103	20	AT83 SE
80	317.5	262	116.5	108.5	20	AT92 SE
100	353	270	133	121.5	20	AT105 SE
125	368	301	155	142	20	AT125 SE



IVR 175 + 271