

# INOX - IVR 144 L - IVR 145 T



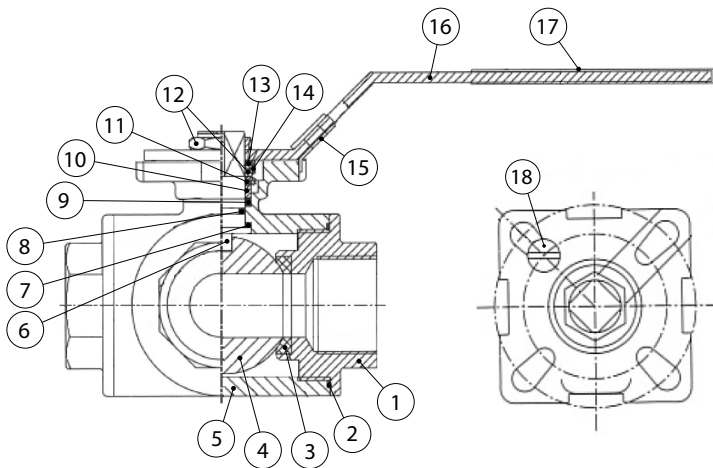
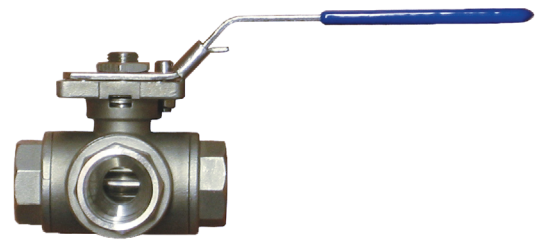
Valvola a sfera in acciaio inox AISI 316 tre vie passaggio ridotto  
Sfera forata L (IVR 144) - Sfera forata T (IVR145)  
Attacchi F/F/F - Flangia ISO 5211  
*Impieghi: impianti industriali e chimici*

AISI 316 stainless steel three-way reduced bore ball valve  
L-reduced bore (IVR144) - T-reduced bore (IVR145)  
Threaded ends F/F/F - ISO 5211 mounting plate  
*Application: industrial and chemical*

3-Wege-Kugelhahn aus Edenstahl AISI 316 mit reduziertem Durchgang  
Kugel mit L-Bohrung (IVR 144) – Kugel mit T-Bohrung (IVR 145)  
alle Anschlüsse mit Innengewinde – Flanschplatte ISO 5211  
*Anwendung: Industrie- und Chemieanlagen*

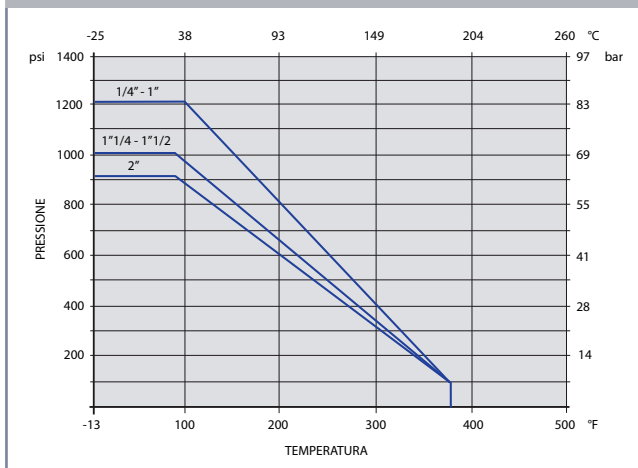
Vanne à boisseau sphérique en acier inox AISI 316 trois voies passage réduit  
Passage en L (IVR144) - Passage en T (IVR145)  
Fixations F/F/F – Platine ISO 5211  
*Application: Installations industrielles et chimiques*

Трёхходовой шаровой кран из нержавеющей стали AISI 316 с редуцированным проходом  
L\_образный шар (IVR 144) - T\_образный шар (IVR 145).  
Резьбовые соединения В - В- В - Фланец ISO 5211.  
*Область применения: промышленные и химические производственные предприятия*



ITEM	PART NAME	MATERIAL	QTY
1	Manicotto - Body End	CF8M	3
2	Guarnizione Corpo - Body Gasket	PTFE	3
3	Seggio Sfera - Ball Seat	R-PTFE (15%)	4
4	Sfera - Ball	SS316	1
5	Corpo - Body	CF8M	1
6	Asta - Stem	SS316	1
7	Rondella - Thrust Washer	PTFE	1
8	O-Ring	VITON	1
9	Guarnizione Asta - Stem Packing	PTFE	1
10	Anello Asta - Stem Ring	SS316	1
11	Rondella - Washer	SS301	2
12	Dado - Nut	SS304	2
13	Rondella - Plate Washer	SS304	1
14	Dado di fermo - Nut Stopper	SS304	1
15	Dispositivo di blocco - Lock Device	SS304	1
16	Leva - Handle	SS304	1
17	Rivestimento Plastico - Plastic Cover	PLASTIC	1
18	Perno di fermo - Stop Pin	SS304	1

**PRESSIONE / TEMPERATURA - PRESSURE / TEMPERATURE**



Size  
1/4" - 1" 84 bar  
1 1/4" - 1 1/2" 70 bar  
2" 63 bar

Max  
+180° C  
Min  
-25° C

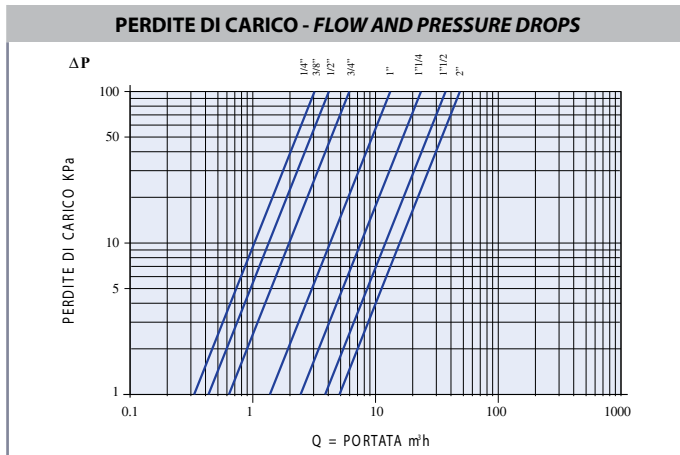
UNI EN  
10226-1



ASTA ANTISCOPPIO  
ANTI BLOW-OUT STEM

Ed. 09/24

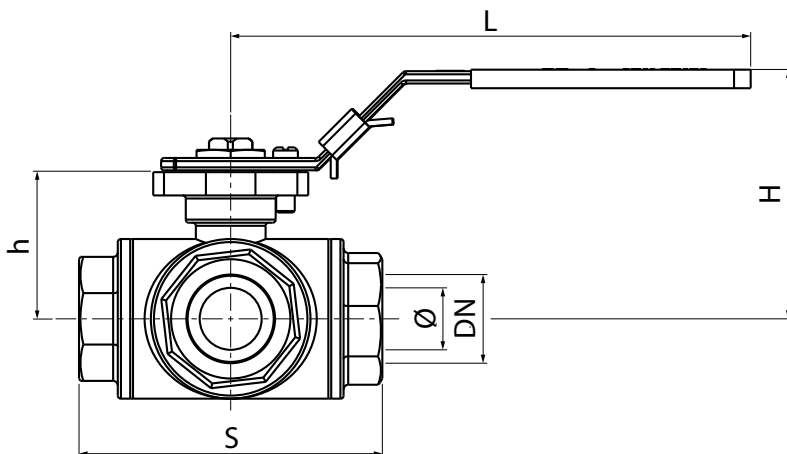
Tutte le caratteristiche tecniche dei prodotti sono soggette a modifiche senza preavviso - All product's technical specifications are subject to modification without prior notice



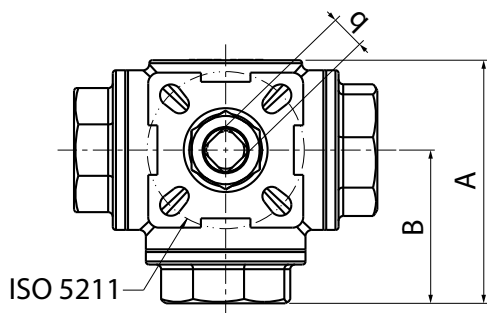
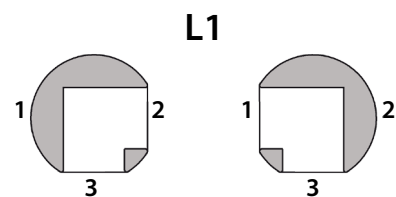
Misura - Size	KV
1/4" - 9.5	3
3/8" - 11	3
1/2" - 12	4
3/4" - 15	6
1" - 20	12
1 1/4" - 25	21
1 1/2" - 32	35
2" - 40	47

## DIMENSIONI - DIMENSIONS (mm)

DN	Ø	S	H	L	A	B	ISO 5211	q	h	N/m
1/4"	9.5	75	66	130	57.5	37.5	F03/F04	9	36.8	8
3/8"	11	75	66	130	57.5	37.5	F03/F04	9	36.8	8
1/2"	12	75	66	130	57.5	37.5	F03/F04	9	36.8	8
3/4"	15	85	72	161	65.5	42.5	F04/F05	11	41.8	9
1"	20	100	77	161	79	50	F04/F05	11	47.3	15
1 1/4"	25	122	92	203	97	61	F05/F07	14	56	20
1 1/2"	32	131	96	203	106.5	65.5	F05/F07	14	60	30
2"	40	158	107	203	129	79	F05/F07	14	70.5	45



**Schema di manovra IVR 144 L**  
Flow position IVR 144 L



**Schema di manovra IVR 145 T**  
Flow position IVR 145 T

